

HOSPITAL NEWS

Admitted:
 Marvin Wheat, Mt. Vernon; Bill Parker, Livingston; Rena McClure, Mt. Vernon; Coy Kates, Mt. Vernon; Phyllis Parsons, Mt. Vernon; Carolyn McKinney, Brodhead; Fatha Overbay, Pine Hill; Della Parker, Livingston; Margie DeBord, Mt. Vernon; Rebecca Creech, Mt. Vernon; Perlina Anderkin, Mt. Vernon; Dwayne Carpenter, Livingston; Thelma Renner, Charlotte A. Holcomb, Mt. Vernon; Jefferly W. Cromer, Dale Childress; Bloss, Polly Adams, Mt. Vernon; Virgie Ponder, Livingston; Edith Blevins, Mt. Vernon; Stephen Mullins, Mt. Vernon; Jerry Morris, Lamerio; Patricia Northern, Brodhead; W.H. Ponder, Livingston; Rose Mink, Crab Orchard; Gilbert Mink, Indiana; Nancy S. Brown, Lamerio; Ben Cromer, Mt. Vernon; Margaret Miller, Mt. Vernon; Emma Forsyth, Mt. Vernon.

Dismissed:
 Mary J. Robinson, Livingston; Chester Hensley, Mt. Vernon; Rose Wilson, Brodhead; Luther Luce, Mt. Vernon; Loretta McKinney, Willalla; Marvin Wheat, Mt. Vernon; Bill Parker, Livingston; Rena McClure, Mt. Vernon; Randy Allen McClure, Mt. Vernon; Coy Kates, Mt. Vernon; Phyllis Parsons, Mt. Vernon; Carolyn McKinney, Brodhead; Fatha Overbay, Pine Hill; Della Parker, Livingston; Margie DeBord, Mt. Vernon; Rebecca Creech, Mt. Vernon; Perlina Anderkin, Mt. Vernon; Dwayne Carpenter, Livingston; Charlotte A. Holcomb, Mt. Vernon; Jefferly W. Cromer, Mt. Vernon; Dale Childress, Bloss, Polly Adams, Mt. Vernon; Virgie Ponder, Livingston; Edith Blevins, Mt. Vernon; Aris Loyd Blevins, Mt. Vernon; Stephen Mullins, Mt. Vernon; Jerry Morris, Lamerio; Patricia Northern, Brodhead; W.H. Ponder, Livingston; Rose Mink, Indiana; Nancy S. Brown, Lamerio; Ben Cromer, Mt. Vernon; Margaret Miller, Mt. Vernon; Emma Forsyth, Mt. Vernon.

Line Crook

Mr. and Mrs. Robert Dishon are the proud parents of a baby girl born May 5. They have chosen the name, Mona Loraine.

Mr. and Mrs. Ted Wilson are the proud parents of a baby boy born May 5. No name has been chosen yet.

Mr. and Mrs. Tom Getreys and family were the week end guests of Mr. and Mrs. Clay Cash and sons.

Mr. and Mrs. Loyal Adams and Mr. and Mrs. Cam Hancock, Mr. and Mrs. Robert Barker and Mr. and Mrs. Alton Bradley were Sunday guests of Mr. and Mrs. Hubert Adams.

Mr. and Mrs. Ronald Newcomb and son from Indianapolis, Ind., visited their parents, Mr. and Mrs. Robert Newcomb and Mr. and Mrs. Hubert Adams over the week end.

Mr. and Mrs. Eugene Cash and family, Mr. and Mrs. Daniel Oldiron and family from Lexington visited Mr. and Mrs. Kermit Cash Sunday night.

Mr. and Mrs. Hubert Adams visited Mr. and Mrs. Loyal Adams and daughter, Edna, Saturday night.

Bro. and Sister Allen Justice and sons, and Mr. and Mrs. Kermit Cash took a picnic lunch and went to Short Creek Sunday after church.

Mr. Don Cash is visiting his sister, Mrs. Judy Finley, in Indianapolis this week.

Mr. and Mrs. Robert Taylor, Mr. and Mrs. Clay Cash, and Mr. Abbie Cash visited Mr. and Mrs. John Cash Sunday.

Mrs. Carl Holman, Mr. and Mrs. Floyd McKenzie and daughter, and Mr. Abbie Cash were Sunday guests of Mr. and Mrs. Charlie Simpson.

Mrs. John Cash is not feeling so well at this time.

Mrs. Charlie Simpson is on the sick list. We wish for them both a speedy recovery.

NEW ARRIVALS
 A son, Randy Allen, born May 4 to Mr. and Mrs. William McClure, Mt. Vernon.
 A son, Aris Loyd, born May 6 to Mr. and Mrs. Jack Blevins, Mt. Vernon.

Telephone Corporation, it was announced by W.W. Thomason, president. The new parent company was the result of a merger of former parent company, Telephones Incorporated with Continental Telephone Corporation.

The Continental Telephone Corporation, with headquarters in St. Louis, Missouri, serves approximately 600,000 telephone stations in 863 communities in 35 States. It is the fourth largest telephone holding company in the United States, outside the Bell system, as of December 31, 1965. Continental Telephone Corporation's Telephone plant, Thomason stated, totaled \$309,713,101; net income \$8,719,521 with earnings per share of 85 cents.

As an operating subsidiary of the Southeast Division of the Continental Telephone Company will continue to operate under the name "Kentucky Telephone Company" as in the past. All new vehicles will reflect "fawn beige", the Continental System color. In addition, Thomason announced new emblems will appear shortly on all buildings and vehicles. Kentucky customer billing from the Continental, Wentzville, Mo., began in January 1966.

Why suffer thru summer when Electric Air Conditioning costs only pennies a day?



COMFORT. Air conditioning brings year-round climate control. Gives welcome relief to those suffering from hay fever and asthma, too.

EASY TO INSTALL. Many room-size units can be installed with knockout tools. A few properly placed units cool your entire house.



CASH BONUS

Air Condition your home now and we'll help pay the bill! For a limited time, we'll pay special incentives to cooperative members who install either room or central air conditioning. Contact our Power Use Department to learn how you can qualify for this cash award.

QUIET. Modern air conditioners are as quiet as a kitten. You sleep in springtime comfort, even on the hottest, muggiest night.

Air conditioning costs less than you think. Get free information from our Power Use Department.

**JACKSON COUNTY RECC
 McKee, Kentucky**



Happiness IN A POCKET CHECKBOOK

You cannot buy everything you want, but who wants to carry a large supply of cash "just in case?"

Your pocket checkbook puts the cash within reach — when you want it — without the bother of "hold it until I get back with some money."

Help yourself to convenience, security and a helping of happiness by opening your checking account today.

The Bank of Mt. Vernon

Main Street Mt. Vernon, Ky.



Phone Company Merger Official
 Effective April 15, and as announced earlier, the Kentucky Telephone Company became an operating subsidiary of the Continental

SERVING ROCKCASTLE COUNTY FOR OVER 60 YEARS

OXYGEN - EQUIPPED AMBULANCE SERVICE
 MEMBER OF KENTUCKY FUNERAL DIRECTORS AND BURIAL ASSN.

Cox Funeral Home

Phone: 256-2345 Mt. Vernon, Ky

FRIDAY MAY 13th **THE SOMERSET REFINERY, INC. ANNOUNCES THE GRAND OPENING of SOMERSET OIL SERVICE STATION** **SATURDAY MAY 14th**

Door Prizes
 Grand Prize **G.E. Portable TV**
 Drawing May 14, 8:30 P.M.
 Other Prizes Include:
 Sunbeam Hand Mixer
 Transistor Radio
 G.E. Steam and Dry Iron
 Oil Change and Lubrication and Free Gasoline

Free Balloons and Free Lollipops For the Children Set of 4 Juice Glasses Free With Purchase of 7 Gal. or More of Gasoline Free Entertainment

Located on Richmond St., Mt. Vernon, Ky.

SOMERSET BLENDS offer Six Grades of Gasoline, dispensed from the same pumps, and priced according to octane rating. Each grade is blended to meet the engine requirements of various makes and models of automobiles from the lowest to the highest octane needs.

A blending pump draws upon two underground tanks, one containing regular gasoline, the other high octane premium. The two basic grades, travel through a "hose with-in a hose" and blend at the nozzle to provide the octane rating selected by the customer. The station attendant sets a dial on the pump to dispense any one of six grades.

The blending system has been thoroughly proven by more than five years use in actual service in various locations throughout the United States, Canada and Europe.

SOMERSET OIL SERVICE STATION

Everyone Is Invited Come In and Get Acquainted

Sam Hoskins
 Jerry Morgan
 Wayne Taylor

For a Complete Line of Gasoline, Service Auto and Truck Washing and Lubrication

Tom Gray
 Manager

The rarest breed of dog is the chipmunk, of which only 125 are known to be alive.

The world's largest bowling hall is the Shinagawa Bowling Center in Tokyo, with 120 lanes.

Forest Permits Are Available

The second year of charging the public for entrance to some National Forest Recreation Areas was announced today by Robert F. Collins, forest supervisor.

Entrance charges will be required for only four camping and picnic areas on the Daniel Boone National Forest. These areas are Redburn Hollow at Morehead; Koomer Ridge between the Pine Ridge and Slade Interchange of the Mountain Parkway; Rockcastle and Bee Rock, both near the mouth of the Rockcastle River and Lake Cumberland.

The charge season will be May 28 through Sept. 5. Entrance to these areas before and after these dates will be free.

Two types of entrance permits to these areas are available to the public, an annual permit and a one day permit. A wallet size \$7 "Golden Passport" has replaced last year's bumper sticker. This permit entitles the purchaser and all persons accompanying him in a private non-commercial vehicle to enter all designated areas. This includes US Forest Service, Corps of Engineers, National Park and T.V.A. recreation facilities in Kentucky. A one day permit is available for those people who prefer not to buy the \$7 permit. This permit also is good for those people that accompany a purchaser of the \$1 permit in a non-commercial vehicle. It is valid until noon after the day of purchase.

The \$7 annual permit is now on sale at all US Forest Service Ranger Stations in Kentucky. These are located at Morehead, Stanton, Berea, London, Somerset, Stearns and Williamsburg. Post Office money orders may be mailed to the Daniel Boone National Forest, US Forest Service at any of the above locations. The \$1 permit is on sale at each of the four recreation areas.

Well-Ditched Beds For Tobacco Safer

Well-ditched plant beds that are raised above surrounding ground usually are safer from anthracnose fungus than other beds, says Dr. J.H. Smiley,

Swine Need Water So Watch Carefully

University of Kentucky Cooperative Extension Service specialist.

The fungus probably comes in by overflow water from the outside, he notes.

The disease causes small spots on leaves. They are reddish brown. Later, they turn papery white. When brown spots appear, on the undersides of leaf midribs and veins, causing the leaf to pucker or break. Several spots often merge into a dead area, killing the leaf.

The disease may be unusually severe in wet weather. If not killed, plants affected may be stunted and stay yellow. Clear, dry weather checks the disease, but it can stay active in a wide temperature range.

Controls: Spray or dust beds with a fungicide such as Ferbam, Maneb, Zineb or Polyram. Start when the disease is first noticed. Apply sprays at 100 pounds per square inch pressure to get coverage. Apply dusts with hand-powered crank duster for good coverage.

Antibiotics such as streptomycin (used for mildew control) are no value in anthracnose control.

DRESS REVIEW
Continued From Page 1

erson and Mrs. John P. Allen, both of Mt. Vernon.

State arrangements and decorations were done under the supervision of Mrs. Linda Williams and Mr. Bige Towery, Roundstone 4-H leaders.

Narrating the event was David Parsons of Wildly, and providing background music was Donna Jones of Mt. Vernon.



safety charlie says...

Dim your lights at night when you approach a car coming in the opposite direction. Dim your lights even if the other driver does not. Blinding lights may cause the other driver to swerve to his left and directly into your path. Being polite may save lives.

1145 3

University of Kentucky Cooperative Extension Service specialist.

Since water is an essential for a good pig crop, take special care with water supply for the herd, says Dr. John Robertson, University of Kentucky Cooperative Extension Service specialist.

If you can't provide clean water free-choice, water pigs twice daily from a clean water source. Lactating sows should have water available, at all times.

Provide one automatic watering cup for each 25 pigs. In summer, 10 pigs should get at least 25 gallons of water for the group, in the winter, 15 gallons. Never let water temperature drop below 40 degrees F in winter.

Every four sows and their litters should share one watering cup that is at least six inches in diameter.

LEGAL NOTICE

SALE OF IMPROVEMENTS TO CLEAR RIGHT OF WAY ACQUIRED BY KENTUCKY DEPARTMENT OF HIGHWAYS

Rockcastle County SP 102 - 777 - IRI Burr Green Hill School Road I - 75 - 3 (6) 60

Bids for the sale and removal or demolition of the herein listed improvements on the noted project will be opened at 2:00 p.m., Eastern Standard Time, on May 25, 1966, at the District Right of Way Office, Kentucky Department of Highways, 763 Lexington Circle Expressway, Lexington, Kentucky. Parcel 18; Former Property Owner - Cuff-Holt; Type of Improvement - 2 frame houses, 1 barn, 5 assorted outbuildings Address - Mount Vernon, Kentucky; Parcel 24; Former Property Owner - Bradley Burdette; Type of Improvement - 1 residence, 1 shed; Address - Mount Vernon, Kentucky.

The Kentucky Department of Highways reserves the right to reject any and all bids. Bid forms and instructions must be secured from the above designated Right of Way Office. All bids received must be in the above designated office and marked "Sealed Bids" before the hour and date set for the opening of bids.

CERTIFIED

YOUR LIVESTOCK MARKET

SERVICE - SATISFACTION - HIGHEST PRICES

CHECK - DAY OR SALE

LANCASTER, KY. MAY 6, 1966

A total of 989 head of livestock were sold at a sale at the Garrard County Stockyards here Friday which reported these receipts and quotations:

CATTLE 489; **CALVES** 242; Slaughter heifers fully steady, cows 50-75¢ higher, bulls fully steady, veal steady, feeders steady. **SLAUGHTER HEIFERS:** Standard and Good 550-900 lbs. \$19.50-23.00. **SLAUGHTER COWS:** Utility and Commercial \$17.00-20.00. **Canner and Curer \$15.40-18.00. SLAUGHTER BULLS:** Utility to Good \$18.80-23.40. **VEALERS AND SLAUGHTER CALVES:** Good and Choice vealers in graded pen \$34.00. Few 258 lbs. \$33.30. Small lot 172 lbs. \$31.50. Standard Canner and Curer \$29.00-31.00. **FEEDERS:** Good and Choice steers 600-700 lbs. \$23.00-26.75. Good and Choice 300-500 lbs. \$23.00-27.50. Choice and Prime \$27.60-31.70. **HEIFERS:** Good and Choice 350-500 lbs. \$21.00-24.40.

HOGS: 223; **Barrows and Gilts** 25-50¢ higher, sows 75-81.00 higher. **BARROWS AND GILTS:** U.S. 1, 2, and 3, 190-235 lbs. \$24.25. 2-3, 258 lbs. \$24.00. Few 120-150 lbs. \$20.00. **SOWS:** 1-3, 300-500 lbs. \$18.00-18.50. Few wet \$17.00-17.50. **HORSES, PONIES, AND MULES:** 35.

Garrard County Stockyards

Kirby Teator, Hogan Teator, J. L. Teator
LANCASTER, KENTUCKY

ARTHRITIS?

If you are suffering from pain, soreness, stiffness or swelling caused by arthritis, or rheumatism, I think I can help. Write me for free information.

KAYE SMITH
2301 Terry Road, 763 Jackson, Mississippi 39204

CAR INSURANCE DUE?

Save with State Farm's low insurance rates for careful drivers. See me.

Bill Bailey
Ph. 256-2290
Mt. Vernon

LEGAL NOTICE

SALE OF IMPROVEMENTS TO CLEAR RIGHT OF WAY ACQUIRED BY KENTUCKY DEPARTMENT OF HIGHWAYS

Rockcastle County SP 102 - 777 - IRI Burr Green Hill School Road I - 75 - 3 (6) 60

Bids for the sale and removal or demolition of the herein listed improvements on the noted project will be opened at 2:00 p.m., Eastern Standard Time, on May 25, 1966, at the District Right of Way Office, Kentucky Department of Highways, 763 Lexington Circle Expressway, Lexington, Kentucky. Parcel 18; Former Property Owner - Cuff-Holt; Type of Improvement - 2 frame houses, 1 barn, 5 assorted outbuildings Address - Mount Vernon, Kentucky; Parcel 24; Former Property Owner - Bradley Burdette; Type of Improvement - 1 residence, 1 shed; Address - Mount Vernon, Kentucky.

The Kentucky Department of Highways reserves the right to reject any and all bids. Bid forms and instructions must be secured from the above designated Right of Way Office. All bids received must be in the above designated office and marked "Sealed Bids" before the hour and date set for the opening of bids.

STATE FARM MUTUAL

INSURANCE COMPANY

759-3280
Willalla, Ky.

ROLL OUT THE BARREL

The first person to go over Niagara Falls in a barrel was Anna Edson Taylor, who, on October 24, 1901, went over the Horseshoe Falls on the Canadian side in a barrel 4 1/2 feet high and 3 feet in diameter.

DE KALB - SEEDS

CUSTOM Corn Spraying

Free Delivery

BURTON'S Feed & Supply

Willalla, Ky.

STATE FARM MUTUAL

INSURANCE COMPANY

759-3280
Willalla, Ky.



DE KALB - SEEDS

CUSTOM Corn Spraying

Free Delivery

BURTON'S Feed & Supply

Willalla, Ky.

DRIVE SAFELY USED CAR

IN A TROUBLE-FREE

from **Anderson & Cummins**

COME ON OUT TO THE VALLEY AND DO YOUR CAR TRADING. MANY FINE SELECTIONS TO CHOOSE FROM. ALL TYPE FINANCING AVAILABLE. EASY TERMS.

See Les Anderson, Kenneth Cummins or Jack Pittman
Ph. 284-4201
Revere Valley, Kentucky

Inspection Period for the Property Tax Assessment Roll

The Rockcastle County Property tax roll will be open for inspection from May 16 through May 20. Any taxpayer may inspect the tax books to check his own assessment and compare it with others in the county. This is the assessment on which school, county, and state taxes will be due on September 15, 1966.

The tax books are in the office of the county tax commissioner in the County Courthouse and may be inspected between the hours of 9:00 A.M. and 3:00 P.M.

LOUISE CARTER
Tax Commissioner
Rockcastle County

TIRE Sale

TRIPPLE STAR 200 NYLON SUPER PREMIUM

	Suggested Retail	NOW
800 x 14 W. W.	\$65.72	\$32.95
750 x 14 W. W.	61.39	32.95
850 x 14 W. W.	72.46	34.95

COMET WHITE WALL NYLON fubless

	Suggested Retail	NOW
750 x 14	\$29.44	19.49
800 x 14	32.12	20.33
850 x 14	35.86	22.38
650 x 13	26.11	16.37

Farm Tractor Tires at Low Prices

We have over 300 tires in stock. This offer good for two Weeks Only. We have cheaper tires in stock if desired.

CROMER'S SINCLAIR SERVICE STATION

Ph. 256-2051
Mt. Vernon, Ky.



Second room air conditioner, anyone?

It never fails. You put an air conditioner into a room and immediately it becomes everybody's living room. The result is too much togetherness. The answer? — A second room air conditioner — in another room, of course.

And you'll find that the new models are smaller and quieter — yet do the same fine job of cooling, drying, and filtering the air. Best of all, you'll be one step closer to total electric living.

Summer is just ahead. Now's the time to see your dealer — for that second room air conditioner!

KENTUCKY UTILITIES COMPANY

Four rate reductions in three years

For The Best In Appliances, See FRIGIDAIRE & SPEED QUEEN AT APPLIANCE SERVICE CENTER

Repair Work
Phone 256-2626 Roy Winstead

BRODHEAD HARDWARE CO.

ZENITH - SPEED QUEEN - PHILCO MAYTAG

Plumbing - Heating Sales & Service
Main St. Ph. 758-3131 Brodhead, Ky.

Dealers in HOTPOINT Refrigerators & Ranges
ADMIRAL - ZENITH - MOTOROLA Television UNICO - Deep Freezers

ROCKCASTLE FARM SERVICE
William St. 256-2516 Mt. Vernon, Ky.

CLASSIFIED RATES

LOCAL RATES: 3c per word paid in advance; Not paid in advance 4c per word; minimum 50c. Cont. of Thanks 3c per word - minimum 50c. Display Classified: \$1.00 per column inch

FOR SALE - Admiral and Zenith televisions, new and used antennas, installation and service. Rockcastle Farm Service, Mt. Vernon, Ky. ntf

BUSINESS PLACE FOR SALE - Located on US 25, 1/2 mile off the Farm tractor tire South of Mt. Vernon. Good repair Call Cromer's Signaling store of merchandise. General Service, Mt. Vernon, Ky. store, 8-room dwelling house with bath, extra lot. See or call Mrs. George Baker at Callaway. Priced for quick sale. Phone 453-3121. ntf

FOR ELECTROLUX SALES & SERVICE. See or call: Ernest Thomas, Route 3, Mt. Vernon, Phone 258-2484. 17-nf

NEW AND USED BEAMS: Chamunda Angles, Pipe, Complete Steel Fabricating Service. Acetylene, Oxygen, Welding Supplies, Jim Pyle, Junction City, Ky. Phone 854-3855. 17-nf

NOTICE: Harm Bros Water No Hunting or Trespassing Well Drilling and Contracting on property owned by Beiling, Brooking, & Co., Hopkins, located on US 150 258-2024 and 258-2069. ntf

CUMMINS & FOLEY AUTOMOBILES is proud to announce the appointment of ERNEST SOWDER to their sales staff. ERNEST invites his many friends to stop by and see him for all your transportation needs.

CUMMINS & FOLEY AUTOMOBILES BEEBA, KY.

DEAD ANIMALS WANTED FOR CASH \$1 to \$2 cash paid for fresh dead or old crippled and down horses and cows, plus immediate pick-up service. Seven Days a Week - Night and Day LEE DOG FOOD COMPANY Collect, 734-3367 - Harrodsburg, Ky.

Farmers Livestock Market London, Ky. Sale Date - May 10, 1966

Total Receipts 666: Cattle 301; Calves 207; Vealers steady to 20¢ higher; Other represented classes about steady. Slaughter Heifers - Standard \$19.20-20.60; Slaughter Calves - Utility & Commercial \$17.00-20.80; Canner & Cutter \$15.00-17.50; Shell Canner - Down to \$13.00; Slaughter Bulls - Utility to Good \$20.40-23.00; Vealers & Slaughter Calves - Good & Choice Vealers in Graded Pens - \$34.20; Choice 264 lbs. \$33.70; 178 lbs. \$33.00; Standard and Good - \$26.00; Good & Choice 285-350 lbs. Calves \$26.00-31.50; Standard and Good 350-500 lbs. \$20.50-26.00; Feeders, Steers - Good and Choice 500-625 lbs. \$23.25-27.50; Baby Calves Sold Per Head: Choice \$37.50; Good \$28.00-36.00; Standard \$18.00-27.00; HOGS - 117; Barrows & Gilts - 25¢ to 50¢ Higher; Sows - Steady; Barrows & Gilts - US 1-3 - 180-240 lbs. \$24.55; 2-3 - 260-300 lbs. \$22.50-23.25; Few 172 lbs. \$22.50; Sows 1-3 - 290-375 lbs. \$17.40-20.50; 500-670 lbs. \$17.10; HORSES - 215-260 lbs. Feeder Sows \$20.25-21.50; HORSES, PONIES and MULES - 41.

London, Kentucky

INSURE AGAINST You can't buy it after you need it! For all kinds of FAMILY, HOSPITAL, NURSE, SURGICAL, SICKNESS and ACCIDENT, CANCER, Supplement to Medicare Insurance or a SAVINGS UP TO 30%. NON-CANCELLABLE.

Pays in addition to Blue Cross & Blue Shield or any other Personal Insurance.

Sponsored by Southern Farm Publications See or Write G. B. CUMMINS, Pine Hill, Ky. OR PHONE 256-2811

DON'T WAIT - ACT TODAY WANTED Black Walnut Logs and Timber Wood-Mosaic Corp. Highest cash prices paid for Black Walnut Logs. 5000 Crittenden Drive - Louisville 21, Ky. Home 363-3531 Across From Standard Airport Get Our Prices - Compare - Why Sell For Less!

Barker's Clothing Since 1952 - Featuring These Lines - SEWELL - Suits and Sport Coats Weyenburg - Shoes - Van Housen and Shopely Shirts - Rugby - Jackets & Sweaters Higgins - Socks - Swank - Jewelry Jade East - Cologne - Champ - Hats Chestnut Street Boroa, Ky

FOR SALE: 135-Acre Farm, near Sand Springs, 75 Acres Farm on Hummel Road, 55 Acre Farm near Scaffold. Call Ploy Owens, Real Estate Agency, Phone 256-2344. Mt. Vernon, Ky. 34 x 1

FOR SALE: 3-Room Cottage, aluminum siding, lot 100 x 140, in City limits. Owner will accept trade-in of other real estate or Pick-up Truck. See Fred Owens, Real Estate Agency, Phone 256-2444. Mt. Vernon, Ky. 34 x 1

LOSE WEIGHT safely with Dex-A-Diet Tablets. Only 98¢ at Mangedrug Co. 34x1p

WANTED: Painting or Repair work. Can repair barn roofs and paint with brush. Jobs taken by the hour or contract. James Moore, Ph. 256-2363.

FOR SALE: 1946 Chevrolet 1/2 ton pickup, Philco TV with 2 Tube Converter, Power Lawnmower, and Special Queen washer. All good condition. James Moore, Ph. 256-2363. 33x2p

FOR SALE: 10 Acre Farm with 2 acre tobacco barn, 4 room house, tobacco barn with 2 acres in soil bank. Located on Mullins Station Road, Court Myrtle, Beres, Pine Hill, Ky. 33x2p

FOR RENT: Furnished apartments. Bullocks Court, Richmond Street, Mt. Vernon, Ky. Ph. 256-4215. 33x4

Due to medical requirements, Fred Owens, M.D., is in need of Registered Nurses. If interested please contact J. B. Hiatt, Ph. 256-2861. 33x1f

FOR SALE: 2 bedroom Home with bath, storm doors and windows. Free way will include attached garage on 1 1/2 acres of land. See Mrs. Leonard Hale or call 986-4248. 34 x 2p

TWO JOB OPENINGS: Permanent employment opportunity in auto mechanics and repair. New and used car servicing. Experience required. Will need references from past employment. Apply 9 to 5 daily - Monday thru Saturday for interview and completing employment application. See Wayne Hymer, Hymer Ford Sales, US 25 South, Berea, Ky. 33x1f

SEE BRYANT BROS. Advertisement in this issue. General Electric's NEW CONCEPT in POWER TOOLS. NOTICE: Anyone who wishes to donate money for care of the Flat Rock or Maple Grove Cemetery, see or write: Delbert Stewart, Orlando, Ky. An accurate record will be kept of all donations, name and amount. 34 x 2p

FOR SALE: 19 foot deep freezer, upright, General Electric. See Mrs. John Lovings, Old Brodhead Mt. Vernon Road or call 758-2596 or 256-2039. 34x1p

FOR SALE: 1964 Dodge pick-up truck. One Owner. See Oma Begley, Cartersville Road or call 986-3629, Berea, Ky. 34x1p

LOST: Glasses at Mt. Vernon Dairy Freeze. Contact James Paladino, 90 Seward, Detroit, Michigan. Reward. 34x2p

UNWANTED HAIR? Have it permanently removed! See or call Bessie Anderkin, 258-2810 or Dorothy Martin, 258-4244. Mt. Vernon, Ky. By appointment only. 19-nf

GOOD USED ELECTRIC RANGES and REFRIGERATORS See Roy Winegard, Appliance Service Center, Mt. Vernon. 24nf

NEED A NEW LAWN MOWER? Go to your Briggs and Stratton authorized dealer, Appliance Service Center, Mt. Vernon in mowers and tillers, all sizes, with 3 and 4 horse-power engines.

POSTED: No Hunting or Trespassing on land north end of Mt. Vernon City limits. Owned by Martha Carpenter.

CAR LOAD AMERICAN MADE WIRE 4 point barbed wire, \$9.95 per roll. Rockcastle Farm Service, Mt. Vernon, Kentucky. Ph. 256-2316 or Brodhead Mills, Brodhead, Kentucky, Ph. 758-3811.

No hunting or trespassing on land owned by Marcus Reppert, located at Buckeye, Ky. 26x1f

HOUSE FOR SALE: 3 bedroom, frame home. For particulars call 256-2326. 26x1f

IMPORTANT NOTICE: If you don't know Termite, you should know your Termite Company. For free inspection call Collect 986-3757, Madisonville, Ky. Berea, Ky. For information call Parsons, Gas and Appliance Service, 256-2288. Mt. Vernon, Ky. 28-nf

FOR SALE: 6 room house with large lot and garden. Newly remodeled, hardwood floors, storm doors and windows. 3rd floor in kitchen. Built-in cabinets, city water and bath. Located just outside city limits. Inquire at Cromer's & Store or call Russell C. Comer 256-2068 after 5 p.m. 31x1f

SPECIAL NOTICE: SOMERSET Upholstery Shop 15% Discount on all fabrics. All work guaranteed. Quick delivery. J. W. Neikirk, 115 University Drive, Somerset, Ky. Phone 678-1652. 29-nf

WANTED - More Milk Kraft Foods - US 25 - By-Products - Collect, Ph. 256-2104.

FOR SALE - House on Bethurum Street. See Carl Brown. 29-nf

LOST: 3 Fishing rods and reels, 2 rods and spinning reels, tackle box (filled with tackle), 3 gallon gas can, 16 inch auto tire, lots of colored gas. \$25.00 Reward for information leading to the whereabouts of the above named. See or call Marquis Brown, Route 1, Brodhead, Ky. Phone 758-2420. 32x4p

FOR SALE: Modern 3 bedroom brick home located 6 1/2 miles S. back of Spink Funeral Home. Contact Chester Halcomb or Phone 453 2451. 32x4f

Will furnish feed and pay \$10 weekly to anyone willing to board & register gentle dogs. Jim Gordon, Brodhead 33 x 2

FOR SALE: 3 houses and lots in Orlando section. See or call Myrtle Burnett, Route 2, Mt. Vernon, Ky. Ph. 256-2098. 32 x 4

FOR SALE: 135-Acre Farm, near Sand Springs, 75 Acres Farm on Hummel Road, 55 Acre Farm near Scaffold. Call Ploy Owens, Real Estate Agency, Phone 256-2344. Mt. Vernon, Ky. 34 x 1

FOR SALE: 3-Room Cottage, aluminum siding, lot 100 x 140, in City limits. Owner will accept trade-in of other real estate or Pick-up Truck. See Fred Owens, Real Estate Agency, Phone 256-2444. Mt. Vernon, Ky. 34 x 1

LOSE WEIGHT safely with Dex-A-Diet Tablets. Only 98¢ at Mangedrug Co. 34x1p

WANTED: Painting or Repair work. Can repair barn roofs and paint with brush. Jobs taken by the hour or contract. James Moore, Ph. 256-2363.

FOR SALE: 1946 Chevrolet 1/2 ton pickup, Philco TV with 2 Tube Converter, Power Lawnmower, and Special Queen washer. All good condition. James Moore, Ph. 256-2363. 33x2p

FOR SALE: 10 Acre Farm with 2 acre tobacco barn, 4 room house, tobacco barn with 2 acres in soil bank. Located on Mullins Station Road, Court Myrtle, Beres, Pine Hill, Ky. 33x2p

FOR RENT: Furnished apartments. Bullocks Court, Richmond Street, Mt. Vernon, Ky. Ph. 256-4215. 33x4

Due to medical requirements, Fred Owens, M.D., is in need of Registered Nurses. If interested please contact J. B. Hiatt, Ph. 256-2861. 33x1f

FOR SALE: 2 bedroom Home with bath, storm doors and windows. Free way will include attached garage on 1 1/2 acres of land. See Mrs. Leonard Hale or call 986-4248. 34 x 2p

TWO JOB OPENINGS: Permanent employment opportunity in auto mechanics and repair. New and used car servicing. Experience required. Will need references from past employment. Apply 9 to 5 daily - Monday thru Saturday for interview and completing employment application. See Wayne Hymer, Hymer Ford Sales, US 25 South, Berea, Ky. 33x1f

SEE BRYANT BROS. Advertisement in this issue. General Electric's NEW CONCEPT in POWER TOOLS. NOTICE: Anyone who wishes to donate money for care of the Flat Rock or Maple Grove Cemetery, see or write: Delbert Stewart, Orlando, Ky. An accurate record will be kept of all donations, name and amount. 34 x 2p

FOR SALE: 19 foot deep freezer, upright, General Electric. See Mrs. John Lovings, Old Brodhead Mt. Vernon Road or call 758-2596 or 256-2039. 34x1p

FOR SALE: 1964 Dodge pick-up truck. One Owner. See Oma Begley, Cartersville Road or call 986-3629, Berea, Ky. 34x1p

LOST: Glasses at Mt. Vernon Dairy Freeze. Contact James Paladino, 90 Seward, Detroit, Michigan. Reward. 34x2p

PIANO BARGAIN: Assume small monthly payments on like new piano with matching bench. Ten year warranty. For more details write: Stiffler's, 261 Eastland Shopping Center, Lexington, Kentucky. 34 x 1

FOR RENT: 3 Room House and Garden, top of Brush Creek Hill. See Ernest Mason, Orlando, Ky. 34 x 1p

WANTED: Painting or Repair work. Can repair barn roofs and paint with brush. Jobs taken by the hour or contract. James Moore, Ph. 256-2363.

FOR SALE: 1946 Chevrolet 1/2 ton pickup, Philco TV with 2 Tube Converter, Power Lawnmower, and Special Queen washer. All good condition. James Moore, Ph. 256-2363. 33x2p

FOR SALE: 10 Acre Farm with 2 acre tobacco barn, 4 room house, tobacco barn with 2 acres in soil bank. Located on Mullins Station Road, Court Myrtle, Beres, Pine Hill, Ky. 33x2p

FOR RENT: Furnished apartments. Bullocks Court, Richmond Street, Mt. Vernon, Ky. Ph. 256-4215. 33x4

Due to medical requirements, Fred Owens, M.D., is in need of Registered Nurses. If interested please contact J. B. Hiatt, Ph. 256-2861. 33x1f

FOR SALE: 2 bedroom Home with bath, storm doors and windows. Free way will include attached garage on 1 1/2 acres of land. See Mrs. Leonard Hale or call 986-4248. 34 x 2p

TWO JOB OPENINGS: Permanent employment opportunity in auto mechanics and repair. New and used car servicing. Experience required. Will need references from past employment. Apply 9 to 5 daily - Monday thru Saturday for interview and completing employment application. See Wayne Hymer, Hymer Ford Sales, US 25 South, Berea, Ky. 33x1f

SEE BRYANT BROS. Advertisement in this issue. General Electric's NEW CONCEPT in POWER TOOLS. NOTICE: Anyone who wishes to donate money for care of the Flat Rock or Maple Grove Cemetery, see or write: Delbert Stewart, Orlando, Ky. An accurate record will be kept of all donations, name and amount. 34 x 2p

FOR SALE: 19 foot deep freezer, upright, General Electric. See Mrs. John Lovings, Old Brodhead Mt. Vernon Road or call 758-2596 or 256-2039. 34x1p

FOR SALE: 1964 Dodge pick-up truck. One Owner. See Oma Begley, Cartersville Road or call 986-3629, Berea, Ky. 34x1p

LOST: Glasses at Mt. Vernon Dairy Freeze. Contact James Paladino, 90 Seward, Detroit, Michigan. Reward. 34x2p

FOR SALE: Milk Cooler, 8 can side loader. Also milk pump. Call 758-2583. 34x2p

ADMINISTRATRIX NOTICE: Notice is hereby given that Letha Wright, of 412 Douglas Avenue, Lexington, Ky., has been appointed administratrix of the estate of John Jarboe, deceased. All persons having claims against said estate shall present them verified according to law to the said Letha Wright, 412 Douglas Avenue, Lexington, Kentucky, or to Letha Len & Clontz, Mt. Vernon, Kentucky, attorneys for said estate, no later than August 25th, 1966. 34 x 3

Air Force Reports New Job Openings The Air Force has announced that additional enlistment positions have been given to this area.

Vacancies are available in the mechanical administrative, general and electronic career fields. High school graduates desiring any field and who qualify may be enlisted on the buddy flight plan. The May buddy flight plan being formed will total 500 men from the area and surrounding counties.

Other vacancies exist for persons with or without former service. Former service personnel if needed, may retain old grade if separated less than two years from any service. Openings are also available for officer training, nurses, and lawyers. Women are needed for all of these programs.

M/Sgt. Gene Basham, local recruiter, announced that the airman's qualification examination is given each Thursday morning at 9:30 in his office at 297 west Mt. Vernon St., Somerset.

Smoko Says: ONCE UPON A TIME... A story of carromen!

VALLEY Drive-In Theatre 2 Miles South of Mt. Vernon Reservoir Valley, Ky. Thursday and Friday May 12-13

The Family Jewels Saturday, May 14

The Glory Guys PLUS Lonely are the Brave Sunday-Monday-Tuesday May 15-16-17

Hallelujah Trail Wednesday, May 18

Sands of Kalahari Thursday and Friday May 12-13

The Family Jewels Saturday, May 14

The Reward PLUS SHE Sunday-Monday May 15-16

Von Ryan's Express Tuesday and Wednesday May 17-18

The Family Jewels Saturday, May 14

FAVORITE SPUDS The U.S. Department of Agriculture reports that Americans eat more potatoes mashed than in other forms.

RECORD FEE For their 30-minute show in New York City in August, 1965, The Beatles were paid more than \$5,000 per minute!

If it's selling of Real Estate you should call Mt. Vernon

Miller - Patton Auction Co.

The Miller-Patton Auction Company has served 41 years of experience in the auction business. If you want the highest dollar for your Real Estate, Livestock, or Personal Property, call the Miller-Patton Auction Co., at 256-4242 or 256-3833, Main Street, Mt. Vernon.

Marshal Miller - AUCTIONEERS - John Patton

AVAILABLE

Appliance Sales and Service Franchise

MT: VERNON AREA

1. Financing And Floor Planning Assistance. 2. Co-op Advertising

CONTACT - H. J. Lunner - Sales Mgr.

C. O. Lawson - Dist. Mgr. P. O. Box 1977 Louisville, Ky. 40201

Get More from Your Life Insurance \$\$. See me for details! JESS F. BULLOCK Special Representative Box 203 Mt. Vernon, Ky.

MODERN WOODMEN OF AMERICA Home Office - Rock Island, Illinois

DAVIS

get big litters of HUSKY PIGS

A sow is a pig factory. She has the big job of producing - nursing two litters of pigs every year. Like any other factory, she has to have raw ingredients to produce the product (pigs) and maintain the factory (her own body).

If she doesn't get proper nutrition she may actually reprob some pigs into her system, causing you to lose pigs you'll never even see; or she may farrow weak, unthrifty litters.

Purina Sow Chow has what it takes to help the sow keep up her own body, farrow big litters and have plenty of milk to start 'em right. Available as a supplement to your grain or as a complete sow ration. Ask for Purina Sow Chow at our store.

Farmers Feed & Supply PH. 758-2585

Jct. 150-70 Brodhead, Ky.

Simpson Feed & Supply PH 355-7621

LOW COST PRODUCTION... the reason why more farmers feed PURINA

PURINA CHOWS

BUY YOUR MEMORIAL FLOWERS AT Hiatt's 5 & 10

On the corner across from the Court House

Prices ranging from .98¢ to \$14.98

Main St. Mt. Vernon, Ky.

CUTTING BOOKS
FOR PUBLIC LIBRARIES
SENDING TO PUBLIC LIBRARIES
NEWSPAPERS OR
TELEPHONE 433.680

THURSDAY, MAY 12, 1966

"WHERE THE BOONWEAY JOINS THE DIXIE"
VOLUME 79 - NUMBER 33

MOUNT VERNON, KENTUCKY

HERE and THERE

ONE MORE BIT

Mayor Clyde Llaville reported at noon Wednesday from Washington, where he and other city officials were dancin' concerning the Renfro Dam and Lake project, that the government engineers had asked for one more bit of information before finally approving a grant for the project. Actually, this is the fifth "bit more" of information that has been called for. We understand the agency would not speculate on a date on which the announcement of a grant would be made. The agency still says there's no real problem involved. Time flies and time will tell, we suppose.

IT'S NEWS TO US

William W. Thompson of West Palm Beach, Fla., asks us if we know that all the graduates of the first three graduating classes at Mt. Vernon are still living. He says, "Of course, this must be some kind of a record for a school. The members of the first class (1914) are John Lair and R. B. McKenzie of Mt. Vernon, and James E. Thompson of Rochester, N.Y. The class of 1915 are George Bryant of Mt. Vernon and Homer Pictor of Memphis, Tenn. The 1916 Class included Mr. Thompson and Mrs. Ruth Mullins McWhorter. We appreciate the information and offer our congratulations on the 50th Anniversary of the 1916 class."

MUCH PROGRESS

Gov. Edward Breathitt says there is an excellent progress on the Appalachian Highway program and includes Corridor II which runs from Chattanooga, Tenn., to Columbus, Ohio. The governor traced the Corridor II route through Barrensville, Monticello, Tontitown, and Sycamore and there he stopped. Still up in the air, no doubt, is the route between Somerset and Interstate 75. We hope the next town add'd by the governor to the list will be Mt. Vernon.

A BETTER JOB

We offer our congratulations to John Whisman, who has worked hard to get approval of a grant for the Renfro Valley Dam and Lake, on the occasion of his new job as State's Co-chairman of the Appalachian Regional Commission in Washington. He moves to Washington from "pooper" in the office of Gov. Edward Breathitt. His new job pays \$27,000 a year—but we venture, a job with more headaches.

LEFT THEM OFF

In last week's story, two members of the local Bowling league were omitted from the group who received awards. The most improved bowlers of the year were Mrs. Les Anderson and Conley Saylor. Remembering our own bowling scores of several years ago, we sure wouldn't want their accomplishment to go unnoticed. May you both ever improve.

THEY GRADUATED

We see among the 2,000 who graduated from the University of Kentucky in three weeks two familiar names—Mia Carla Baker and Mason Gregory. Mia, daughter of Mr. and Mrs. Carl Baker, got her Bachelor of Arts degree in (elementary) education. Mason, son of Mr. and Mrs. David Gregory, got his Bachelor of Arts degree in Education in the area of social studies.

SELLS SIX COWS

We are told by the American Angus Association that Billy and Anna Lee of Brodehead, sold six registered Angus cows to Robert Tarrington Jr., of Danville recently. That must have been a sizeable sale.

USE YOUR HEAD

Take care, and use your head when on or in the water this summer. You may save your life.



OFFICERS ELECTED—Officers for the Mt. Vernon Chapter of Future Farmers of America were elected recently. Front row, from left: Jerry Burdette, secretary; Donnie Thacker, secretary; Larry Miller, president; Jackie Miller, vice president. At the meeting, the group voted to attend the Grand Ole Opry at Nashville, Tenn., on May 14.

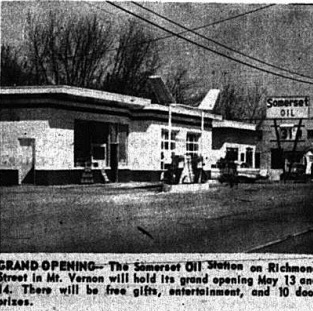
Reno And Cutups At Renfro

Don Reno, one of the top names in the country music field, and his Tennessee Cut-ups, will be a headline attraction at the Renfro Valley Big Banddance Saturday night. Also appearing will be Linda Flanagan, Decca record star and a frequent guest singer on the Ernest Tubbs television show. Reno, who is considered one of the most popular names in the country music and gospel field, is well known for his many record albums and such individual hits as "I Wouldn't Change You If I Could," "Barefoot Nellie," "Soldier's Prayer In Vietnam," and "Sweethearts In Heaven."

The Cut-ups includes such performers as Ronnie and Jean Reno, Ray Crisp, Duck Autha, and Chuck Henry.

Dress Revue Winners Told

Winners of the County 4-H Dress Revue which was held May 3 at Roundstone School will jog on to Burning Springs Elementary School in Clay County on Saturday, May 14 to participate in the Area Fashion Revue. The girls and the unit they will be modeling are: Anita Smith, apron; Louise Proctor, skirt; Joy Parsons, dress; Pamela Ramsey, play clothes; and Darlene Lakes, tailored coat and dress. Also participating in the county revue is the apron unit and the ribbons awarded were: Blue ribbons—Karen Cummins, Mt. Vernon fifth and sixth; Yvonne Carmac, Wildie; Vicki Riddle, Brodehead seventh and eighth; Alberta Hasty, Brodehead seventh and eighth; Mt. Vernon fifth and sixth; Cathy Oliver, Livingston fifth and sixth; and Anita Smith, Livingston fifth and sixth, representative to area revue. Red ribbons—Margie Thomas, Roundstone fifth and sixth; Donna Moore, Roundstone fifth and sixth; Frances Powell, Roundstone fifth and sixth. White ribbons—Louise Overbay, Livingston fifth and sixth; Judy McClure,



GRAND OPENING—The Summer Oil Station on Richmond Street in Mt. Vernon will hold its grand opening May 13 and 14. There will be free gifts, entertainment, and 10 door prizes.

BHS Reports Graduation

Graduation ceremonies for 50 seniors at Brodehead High School will be held in the Brodehead gymnasium at 8 p.m., May 25, according to an announcement this week by D.A. Robbins, principal. Delivering the commencement address will be John L. Vickers, of Eastern Kentucky State College. Brodehead does not have Baccalaureate ceremonies. It was also announced that Achievement Night Exercises will be held at the school May 26, which will include Eighth Grade Graduation awards, and music by the Rockcastle County Schools chorus.

The graduating seniors are: Jo Ann Baker, Irene Blanton, Wanda Jean Bullock, Mary Francis Carmack, Polly Lynn Graves, Donna Jean Hayes, Linda Lou Helton, Janie Hunt, Betty Jo Kirby, Aileen McClure, Wilma Jewell McClure. Carol Sue Owings, Phyllis Lee Proctor, Joan Price, Mary Lou Schiff, Brenda Karen Singleton, Glenda Todd, Patsy Diane Thompson, Joyce Genele Whittaker. Timothy Wayne Adams, Charles, Everett, Albrand, Lonnie Dale Bishop, Noland Drury Bishop, Bobby Lee Blewitt, Thurin Douglas Bradley, Roy J. Brown, Lonnie Gene Brlmet, Danny Dale Bullock, Jerry Lee Burke, John Burke Jr., Freddie Thomas Carpenter, Ronald Dean Cash. Eddie Ray Chasteen, Gary Cummins, Earl Clinton Cummings, Larry Doyle, Gregory Lane Ennis, Lonnie Frith, Ernie Lesley Harrison, William Larry Kiewell, Frankie Mobley, Adam Dearl McKinney, Larry McWhorter. Gary Monroe Renner, Earl Reynolds, Charles Ray Rogers, Anthony Savin Douglas Stevens, Danny Ray Eugene Sower, Wayne Todd.

MVHS Sets Graduation

Baccalaureate services for the Mt. Vernon High School graduating class have been scheduled for 7:30 p.m., May 15 at the First Christian Church. Dr. Irvin Linger, president of Transylvania College, will deliver the commencement sermon to the 69 graduating seniors, relatives, and guests. Commencement exercises have been scheduled for the school gymnasium at 7:30 p.m., May 19. Mr. Linger, president of Transylvania College, will deliver the commencement address.

AWarded Scholarship

Paul McNew, a senior at Mt. Vernon High School, has been awarded a \$1,000 Farm Bureau college scholarship. The scholarship is one of the most coveted for high school seniors. Two girls and two boys in Kentucky receive the scholarship each year. The scholarship is awarded on Farm Bureau membership, various farm activities, high school academic standing, and recommendations.

Soil Week Tour Held

Soil stewardship week has been set for May 15 through May 22. The purpose of soil stewardship week is to make all people, the city dwellers as well as the farm people, aware of the importance of our soil heritage, the soil and water. The supervisors of the Rockcastle County Soil and Water Conservation District conducted ministers of the county on a tour of soil and water conservation measures that are being used on the land. Emphasis on the tour was made on recreation and beautification measures that add to the income producing practices on farms. The theme for soil stewardship week is "Crisis in the Country." This statement by Don Williams, administrator of the Soil Conservation Service, points up the national concern for the stewardship of our soil and water. "Today, there is indeed a crisis in the countryside," -or rather, two crises. One is the continued wastage of the land through erosion and improper use. The other is the result of man's partial success. This is the crisis of complacency about conservation," Mr. Williams said. "Why this complacency? Perhaps it is because the need for increased conservation measures does not immediately strike the eye. The supermarkets are full of food. The dust may be blowing today, and we do not concern ourselves with big headlines—wars, space, missiles, murders," he declared.

MY FISH—Shane Bullock

son of Mr. and Mrs. Jess Bullock, of Westport, proudly shows his 11-inch, two-pound bass he caught Sunday in the Rockcastle River. He pulled the fish in himself. He reported he used a live minnow.

Will Owe Taxes? Could Lose Your Car

Have you paid your yearly tax bill on your auto, truck, or other tangible property? If not, you may be in trouble soon. Tax bills are now under a 6 percent penalty, and unless paid before many days, you may have your vehicle or other property put up for sale to settle the tax bill. Sheriff Tip Reppert says he hopes that he does not have to deprive someone of a needed car or truck, but that the law requires taxes to be settled. For the record, he reports second notices have been mailed to those who owe tax bills.

3 Years In Prison

John Danrell, of Boone, was sentenced to three years in prison Saturday at a Rockcastle Circuit Court on a charge of child desertion. Danrell was picked up Friday by police on the charge that he had been carried in circuit court for a considerable time.

WATCH THE TRAFFIC

There'll be much traffic this year. Be careful when you drive!



RECEIVE RATINGS—Several members of the Rockcastle County Schools Band received ratings last week at the annual music festival at Eastern Kentucky State College. Front row, from left: Bruce Frederick, trombone solo, second; Tommy Nicely, clarinet duo, third; Perry Sams, trumpet trio, third; Tony Davis, trumpet trio, third; George Corlotts, flute solo, first; second row, from left: Janet Hurley, clarinet trio, second; Ann Gentry, flute solo, second; Judy Bowling, clarinet, second; Morley Leach, clarinet solo, second; Debbie Craig, clarinet duo, third, and Dale Coffey, trumpet trio, third. Absent when the picture was taken was Paulo Bullock, clarinet trio, second.

MVHS - BHS Lose Tourney Games

Mt. Vernon and Brodehead were both eliminated in first-round play in the District Basketball Tournament now underway at Mt. Vernon High School. Mt. Vernon went down to defeat at the hands of Crab Orchard 3 to 1. Brodehead was defeated by Hustonville 24-1. In the other first-round Memorial defeated Liberty 17-3. Semi-finals of the tournament were played Wednesday afternoon at the hands of Mt. Casey County and Hustonville took on Crab Orchard. The Signal had gone to press before the games were completed. The final of the tournament will be played at 2 p.m., Friday between Liberty and Hustonville.

Soldier Honored

Staff Sergeant Billy E. Martin, son of Mrs. Sally E. Martin of Route 2, Mt. Vernon, has been selected Outstanding Officer of the Noncommissioned Quarter for his unit at High Wycombe Air Station, England. Sergeant Martin, who received a \$25 U.S. Savings Bond for his achievement, was honored for his leadership, exemplary conduct and duty performance. He is a medical records supervisor with the US Air Forces in Europe. The sergeant is a graduate of Livingston High School.

Record Low For County; It Was 27

Who would have thought it? Probably no one, including the weathermen. The temperature in Mt. Vernon early Tuesday morning sank to a record low of 27 degrees, according to weather records kept by Bill Cox at Mt. Vernon. The low temperature was accompanied by frost in some areas. Farmers reported tomato plants were killed. Some reported loss of potatoes, and some minor damage to tomato plants that happened to be exposed. Many trees and other vegetation was damaged and killed by the cold. It was the lowest temperature on May 10 ever recorded, and a 1945 Tournament colder than in about 1895 when snow fell in May in Kentucky. The cold temperatures, that reported loss of dollars in loss and damage to crops in Ohio, Michigan, Indiana, and elsewhere, followed a coldfront that passed across Mt. Vernon about 10 p.m., Sunday. Temperatures gradually fell all day Monday to the record low Tuesday morning. A general warming trend is expected through the Ohio Valley with a forecast of showers for Thursday night-finally ending Thursday night.

MVHS - BHS Lose Tourney Games

Mt. Vernon and Brodehead were both eliminated in first-round play in the District Basketball Tournament now underway at Mt. Vernon High School. Mt. Vernon went down to defeat at the hands of Crab Orchard 3 to 1. Brodehead was defeated by Hustonville 24-1. In the other first-round Memorial defeated Liberty 17-3. Semi-finals of the tournament were played Wednesday afternoon at the hands of Mt. Casey County and Hustonville took on Crab Orchard. The Signal had gone to press before the games were completed. The final of the tournament will be played at 2 p.m., Friday between Liberty and Hustonville.

Soil Week Tour Held

Soil stewardship week has been set for May 15 through May 22. The purpose of soil stewardship week is to make all people, the city dwellers as well as the farm people, aware of the importance of our soil heritage, the soil and water. The supervisors of the Rockcastle County Soil and Water Conservation District conducted ministers of the county on a tour of soil and water conservation measures that are being used on the land. Emphasis on the tour was made on recreation and beautification measures that add to the income producing practices on farms. The theme for soil stewardship week is "Crisis in the Country." This statement by Don Williams, administrator of the Soil Conservation Service, points up the national concern for the stewardship of our soil and water. "Today, there is indeed a crisis in the countryside," -or rather, two crises. One is the continued wastage of the land through erosion and improper use. The other is the result of man's partial success. This is the crisis of complacency about conservation," Mr. Williams said. "Why this complacency? Perhaps it is because the need for increased conservation measures does not immediately strike the eye. The supermarkets are full of food. The dust may be blowing today, and we do not concern ourselves with big headlines—wars, space, missiles, murders," he declared.

WATCH THE TRAFFIC

There'll be much traffic this year. Be careful when you drive!

Record Low For County; It Was 27

Who would have thought it? Probably no one, including the weathermen. The temperature in Mt. Vernon early Tuesday morning sank to a record low of 27 degrees, according to weather records kept by Bill Cox at Mt. Vernon. The low temperature was accompanied by frost in some areas. Farmers reported tomato plants were killed. Some reported loss of potatoes, and some minor damage to tomato plants that happened to be exposed. Many trees and other vegetation was damaged and killed by the cold. It was the lowest temperature on May 10 ever recorded, and a 1945 Tournament colder than in about 1895 when snow fell in May in Kentucky. The cold temperatures, that reported loss of dollars in loss and damage to crops in Ohio, Michigan, Indiana, and elsewhere, followed a coldfront that passed across Mt. Vernon about 10 p.m., Sunday. Temperatures gradually fell all day Monday to the record low Tuesday morning. A general warming trend is expected through the Ohio Valley with a forecast of showers for Thursday night-finally ending Thursday night.

MVHS - BHS Lose Tourney Games

Mt. Vernon and Brodehead were both eliminated in first-round play in the District Basketball Tournament now underway at Mt. Vernon High School. Mt. Vernon went down to defeat at the hands of Crab Orchard 3 to 1. Brodehead was defeated by Hustonville 24-1. In the other first-round Memorial defeated Liberty 17-3. Semi-finals of the tournament were played Wednesday afternoon at the hands of Mt. Casey County and Hustonville took on Crab Orchard. The Signal had gone to press before the games were completed. The final of the tournament will be played at 2 p.m., Friday between Liberty and Hustonville.

Soldier Honored

Staff Sergeant Billy E. Martin, son of Mrs. Sally E. Martin of Route 2, Mt. Vernon, has been selected Outstanding Officer of the Noncommissioned Quarter for his unit at High Wycombe Air Station, England. Sergeant Martin, who received a \$25 U.S. Savings Bond for his achievement, was honored for his leadership, exemplary conduct and duty performance. He is a medical records supervisor with the US Air Forces in Europe. The sergeant is a graduate of Livingston High School.

Soil Week Tour Held

Soil stewardship week has been set for May 15 through May 22. The purpose of soil stewardship week is to make all people, the city dwellers as well as the farm people, aware of the importance of our soil heritage, the soil and water. The supervisors of the Rockcastle County Soil and Water Conservation District conducted ministers of the county on a tour of soil and water conservation measures that are being used on the land. Emphasis on the tour was made on recreation and beautification measures that add to the income producing practices on farms. The theme for soil stewardship week is "Crisis in the Country." This statement by Don Williams, administrator of the Soil Conservation Service, points up the national concern for the stewardship of our soil and water. "Today, there is indeed a crisis in the countryside," -or rather, two crises. One is the continued wastage of the land through erosion and improper use. The other is the result of man's partial success. This is the crisis of complacency about conservation," Mr. Williams said. "Why this complacency? Perhaps it is because the need for increased conservation measures does not immediately strike the eye. The supermarkets are full of food. The dust may be blowing today, and we do not concern ourselves with big headlines—wars, space, missiles, murders," he declared.

WATCH THE TRAFFIC

There'll be much traffic this year. Be careful when you drive!

FROM OUR FILES

40 Years Ago
April 29, 1926

Prof. and Mrs. H. E. Boncher attended Kentucky Educational Association at Louisville last week.

Mrs. G. R. Carson and little son Albert will leave about the 20th of May for Coral Gables, Fla., to join Mr. Carson who has a lucrative position there.

Mr. and Mrs. Ed Cox are rejoicing over the arrival of a new son Saturday April 24.

Dr. Ben Duke, son of the late J.S. Duke of Crab Orchard, will practice the medical profession at Brodhead.

Misses Carrie Hysinger and Gettrude Chastner were in Knoxville last week to attend the second district convention of the Christian Missionary Society at Johnson Bible College, Kimberlin Heights, Tennessee.

26 Years Ago
May 2, 1940

The old-fashioned pie and box supper held at the high school Wednesday, April 24, was a success in every way. The net proceeds were over \$50.00.

The first Future Farmers of America Banquet was held last Thursday night in the high school library with 125 attending.

On the night of June 1, there will be a public wedding on the stage at Renfro Valley. The merchants are co-operating and will donate several articles to help the couple start life's journey.

Miss Helen Krohn and Albert Wolf of Fort Wayne, Ind. are the lucky couple who have been selected for this opportunity.

12 Years Ago
May 13, 1954

Brodhead graded and high schools will hold its commencement exercises Thursday and Friday of this week.

Forty-one seniors will graduate and Dr. Gordon Rousehead of the department of Bible and Philosophy of Berea College will give the commencement address.

Miss Christine Massie, daughter of Mr. and Mrs. Martin Massie of Mt. Vernon and Luther Moore, son of Mr. and Mrs. Leonard Moore of Sand Springs were united in marriage April 24.

Guy Roberts and family

have moved from the Robbins property on Main Street to the Olney Sutton property on Maple Street. Mr. Sutton and family moved to his farm near town.

Calloway

Land Sakes, Younguns: Hit plum A Mazes me hog times is a changin, usen to weuns would put on our prettiest Gingham dress, black our shoes with stove soot, red our hair up neat and put our Side Combs just so in our hair, rub a little "Kiss Me and I'll Tell You" weed on our arms an neck and set outa fer the store. Not so now, especially in them Supper Merkits. Now-a-days younguns gotta have yer hair trugged up in them pink curlers, (that is a must), have on a waist with no sleeves an short shorts an a pr. of them Less Shoes, top less, side less an back less AND hit helps a site iffen younguns got 3 little younguns to turn loose in the store, then some body will take you money quick.

Mr. and Mrs. John C. Langford spent last week at their cottage on Lake Cumberland.

Mr. Luther Luce is reported to be very ill at the Rockcastle Hospital.

Miss Short and Miss Stock-

myer were at Barbourville on business Saturday.

Mrs. Hazel Cummins returned home Friday after a visit with her daughter, Mrs. Art Schafer and Mr. Schafer. Ft. Thomas, Mt. and Mrs. E.E. Sears and Mr. and Mrs. Don Sears, Covington, and Miss Wanda Vanhook and Mrs. Elizabeth Zieger were at Winchester Friday.

Mrs. Genzie Elliot, Cincinnati, was called here last week due to serious illness of her mother, Mrs. Nancy Cox. Her son, Clifford, and grandson, Eddie, accompanied her.

Mrs. Rosa Cromer and Mrs. Nettie Henson were gunday dinner guests of the Basil Moores.

Mr. and Mrs. Sylvester Kirby and children, Cincinnati, visited Mrs. Elizabeth Zieger Saturday.

Mr. and Mrs. William Brewer of Route 1, Mt. Vernon have purchased the Hazel Baker grocery and property and moved here.

Mr. and Mrs. Chester Hensley are making their home with their daughter, Mrs. William Brewer and Mr. Brewer at the present time.

Mrs. Geneva Sparks and son, Marvin, of West Palm Beach, Florida are visiting her parents, Mr. and Mrs. Chester Hensley.

Mrs. Lizzie Milburn, Mrs. Ronald Moore and children visited Mr. and Mrs. David Stallworth Sunday.

Mr. Chester Hensley spent last week at Rockcastle Hospital, he is home now and improving slowly.

Mr. and Mrs. Ed Hughes, Manchester, visited the Gerald Gambrels Sunday.

Mr. and Mrs. Elmer Hensley, Winchester, Mrs. Omer Begley, Mr. and Mrs. Walter Robinson, Garrard County, were recent visitors of Mr. and Mrs. Chester Hensley and Mr. and Mrs. William Brewer.

finied to her room with a cold at this time.

Mr. and Mrs. Green Abrams spent the week end visiting relatives at Sand Gap.

Mrs. Earl Phillips, Wilma Ann and Garry of Red Hill spent Sunday with D.T. Phillips and family and Mr. and Mrs. L.E. Phillips.

We extend our sympathy to Mrs. Laura Gatloff and family in the loss of their husband and father, James L. Gatloff who passed away at Beza College Hospital on May 5.

Mr. Howard Phillips visited Mr. and Mrs. Roscoe Mullins of Livingston Saturday.

Mrs. Retha Tankersly was in Lexington Thursday to see a doctor.

Mr. and Mrs. Deal Owens of Sand Rock Hill visited Mr. and Mrs. L.E. Phillips Sunday.

day.

Mrs. Dova Drew of Orlando visited her son and family, Mr. and Mrs. Harold Ballinger over the week end.

Willalla

Mrs. Zora Burton celebrated her 74th birthday at her home Saturday. Those present for the occasion were: Mr. and Mrs. Bill Green of Providence, Mr. and Mrs. Edward Burton of Connersville, Indiana, Mr. and Mrs. G.D. Burton, Mr. and Mrs. Owen Burton and Janet, Mary Jane Randolph and Linda Arvil Burton, Mr. and Mrs. Maurice Brown of Somerset, Mrs. Dora Burton, Mr. and Mrs. Herman Taylor, Mrs. Dora Brown, and Lewis Brown. We wish her many

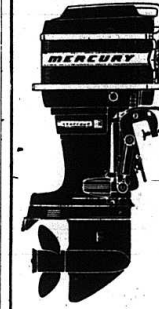
more birthdays. She received many nice gifts.

Mrs. Genzie Thompson has returned home. She has been visiting in Ohio.

flowers; for the ones who dug the grave, Bro. Dean and Bro. Luskoff for their counseling words; and Rominger Funeral Home for their fine service.

The Gatloff Family
Smokey Says
Wildfires bring dirt and pollution!

65-HP OUTBOARD
4 cylinders in-line



THE QUIET NEW MERC 650

The popular way to get into family outboating

Take the gang on a leisurely afternoon cruise or break out the skis and give'er full throttle. The new Merc 650 will handle both jobs! For 65' smoother, more positive feel in shifting, famed Mercury thrust and breakaway power... plus Mercury's unmatched economy and reliability. See the versatile 650 now.

WE HAVE A FEW MOTORS CARRIED OVER FROM LAST SEASON -- AT A SPECIAL LOW PRICE 50-90 HORSE POWER

FIRST COME - FIRST SERVED

BAKER & BAKER Appliance Store

BEREA, KY. Ph. 984-2381

LASTING MEMORIES ARE PRICELESS, SO SEE WHAT YOU BUY

Nothing you buy will ever be as permanent as a family monument. Its purchase warrants thought and guidance.

See what you buy. Visit the monument dealer who has a complete display, and who can design a personalized monument to harmonize with your setting.

We have the experience. We have the complete display. We specialize in fully guaranteed Select Barre Granite Monuments.

BARRE GUILD
Monuments

STANFORD MONUMENT WORKS
W. H. DeMarco, Owner
Telephone - 269-2613

Danville Road - Stanford, Ky. 40484

Three Links

There are several cases of flu in this section at the present.

Mr. and Mrs. H.C. Martin are home after spending several days in a Lexington Hospital for a check-up.

Mr. and Mrs. R.H. Phillips of Berea visited D.T. Phillips and family Friday.

Mr. and Mrs. Ronald Cox of Dayton, Ohio spent the week end with Luther Cox and Andy Cox and families of this place.

Little Lisa Spires is con-

Complete Dispersion

R. W. ELDER'S

LAKE VIEW POLLED HEREFORD FARM
SOMERSET, KY.

Thursday, May 19
1:00 P. M.

76 LOTS 115 HEAD

INCLUDING:

- 1 Herd Bull
- 3 Service Age Bulls
- 23 Bred Heifers
- 36 Cows & Calves or Bred Cows
- 13 Open Heifers

6 Miles South of Somerset, Ky. on U.S. 27, 1/4 mile East on Somerset Boot Dock Road.

COME TO TIGER COUNTRY THIS WEEK

CROUTCHER & WILLIAMS MOTOR CO.

Junction of the Bypass & U. S. 25 South
RICHMOND, KENTUCKY

CHECK THIS WEEKS SPECIALS IN TIGER COUNTRY

- 65 CHEVROLET, Impala, 2 dr., V-8 Auto \$2292:00
- 64 TEMPEST, 2 dr. V-8, 3 speed \$1440:00
- 64 OLDS, 4 dr., Auto & Power, Air \$2335:00
- 64 FORD Conv., Auto & Power \$1867:00
- 64 BARRACUDA, V-8 2 dr., 4 Speed \$1670:00
- 63 CHEVROLET, Impala, 55, Conv., V-8 \$1466:00
- 61 DODGE, Station Wagon, V-8 Auto, Pwr \$287:87

WE HAVE MANY MORE GOOD LATE MODEL USED CARS ON OUR LOT TO CHOOSE FROM: HERE ARE SOME OF THEM:

- 65 PONTIAC, Cat., 4 dr. HT Auto, Power & Air
- 65 FORD, Thunderbird, Full Power, Air Condition
- 65 CHEVROLET, Impala, 2 dr., HT, V-8, Auto
- 65 FORD, Falcon, 2 dr., Standard Shift
- 65 PONTIAC, Cat., 4 door, Sedan, Auto & Power
- 64 FORD, Conv., Full Power
- 64 VOLKSWAGEN, 4 Speed
- 64 PONTIAC, Catalina, 2 dr., Standard Shift
- 2 - 64 OLDS, Super 88, 4dr., HT, Power & Air
- 64 TEMEST, 2 dr., 6 Cyl., Standard Shift
- 64 PONTIAC, Catalina, 4 dr., Auto & Power
- 64 CORVETTE, Stingray, 4 speed, 2 tops
- 64 PLYMOUTH, Barracuda, V-8 4 Speed
- 63 T-BIRD, Full Power and Air
- 63 PONTIAC, 4 door, Standard Transmission
- 63 CHEVROLET, Impala, Conv., V-8 Auto
- 63 FORD, Galaxie 500, 4 door, V-8, Auto
- 62 CADILLAC, Coupe DeVille, Power
- 62 FORD, 4 dr., Auto & Power
- 62 PONTIAC, Star Chief, 4 dr., HT, Auto & Power
- 62 OLDS, 88, 4 dr., HT, Auto & Power
- 62 PONTIAC, Bonn, 4 door, HT, Auto & Power
- 62 PONTIAC, Bonn, 4 dr., HT, Auto, Power, Air
- 61 CHEVROLET, 4 Dr., HT, Auto
- 61 DODGE, Station Wagon, V-8, Auto and Power
- 61 PONTIAC, Star Chief, 4 Door, Auto & Power
- 61 RAMBLER, 4 dr., Standard Shift
- 61 OLDS, 88, 4 Door, Auto & Power
- 61 CHEVROLET, Corvair, Monza, 2 dr., Auto
- 61 PONTIAC, Cat., 4 Door, Auto
- 61 OLDS, 88, Wagon, Auto & Power
- 61 PLYMOUTH, Station Wagon, Auto
- 60 PONTIAC, Catalina, 4 dr., Auto & Power
- 60 PONTIAC, Star Chief, 4 door, Auto & Power
- 60 CHEVROLET, Belair, Auto
- 59 PONTIAC, Star Chief, 4 door, Auto & Power
- 59 MERCURY, 2 Door, HT, V-8, Auto
- 59 CHEVROLET, 2 door, V8, Auto
- 59 CHEVROLET, 4 door, V-8, Auto
- 59 CHRYSLER, Imperial, 4 door, Auto, Power & air
- 58 RAMBLER, 4 door, Auto & Power
- 2 - 58 OLDS, 4 door, Auto & Power
- 56 BUICK, 4 Door, Auto & Power
- 55 CHEVROLET, 4 door, 4 Cyl., Standard Shift

- ### USED TRUCKS
- 61 FORD, 1/2 Ton
 - 1961 GMC, 2 Ton Flat
 - 60 FORD, Pick-up
 - 58 DODGE, Pick-up
 - 1952 DODGE
 - 1951 FORD, Pick-Up

WE SELL AND SERVICE PONTIACS, CADILLACS, AND GMC TRUCKS. THE 1966 PONTIACS AND GMC TRUCKS ARE NOW IN OUR SHOWROOM WE ARE ALSO A DEALER FOR CHRIS CRAFT BOATS AND AT THE PRESENT TIME WE HAVE TWO CHRIS CRAFT CRUISERS IN STOCK

1966 Twin Engine Constellation Hardtop - 31 Foot - Sleeps 6
1966 Cavalier Convertible Top - 25 Foot - Sleeps 4

We will be open each night until 8:00 P. M. For the Convenience of our Customers.

REMEMBER WE DON'T MEET COMPETITION ----- WE MAKE IT !!!

Keep TIM LEE CARTER Working for You

In Washington ...

Congressman Carter has served as Assistant to House Republican Leader Gerald Ford (r). Here they discuss GOP strategy prior to the convening of the House.

At Home ...

- Obtained new road along Highway 119 and 25E through Harlan County to Middleboro and on to Interstate 75. Also obtained improvements on Highways 80, 421 and others.
- Secured expansion of vocational schools in Somerset and Harlan counties. Also secured new schools in Bell, Clay, Knox, Russell and Whitley-Laurel counties. In

1967, seven more schools will be started in Fifth District.

- Obtained needed watershed projects throughout Fifth District.
- Fought for and restored funds for school lunch and school milk programs.
- Voted for increased benefits for veterans, U.S. servicemen fighting in Vietnam and elsewhere.

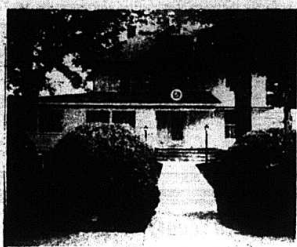
Congressman Tim Lee Carter knows the problems of the Fifth District -- and how to solve them. Keep him working for you in Congress.

RE-ELECT CARTER TO CONGRESS

Republican Primary - May 24

by authority of John Brannan, Treas.

"THE HOME THAT SERVICE BUILT"



SPARKS Funeral Home

Bill W. Dowell Roger Jones
 Alfred B. Sparks Eva Sparks
 PHONE 256-2991
 MT. VERNON, KY.

Quail

Mrs. Billy McKinney and Timmie and Mrs. Arthur McKinney were in Somerset, Friday to take Timmie for a check-up.
 Stephen Burdine, son of Mr. and Mrs. Genis Burdine, is improving after having bronchial pneumonia.
 Mr. and Mrs. Novice Centre have been on the sick list, but are reported improved at this writing.

Mrs. Estel Gentry spent last week in Ohio with Mr. Gentry and Carlos and Mr. and Mrs. Woodrow Brown.
 Mr. and Mrs. Billy McKinney and Timmie have moved to Lexington where they are both employed.
 Mr. and Mrs. Arthur McKinney and Darrell and Novice Centre were in Lexington Sunday afternoon with Mr. and Mrs. Billy McKinney and Timmie.

Mr. and Mrs. Benton Owens were in Ohio this week end visiting their sons, Mr. and Mrs. Charles Nelson and Mr. and Mrs. Estill J. Owens and family.
 Pattie Baker visited her son, Timothy and family, and other relatives over the week end.

Lloyd Caldwell, who is taking his basic training at Ft. Knox, was home over the week end to visit his parents, Mr. and Mrs. Shirley Caldwell.

Sue Cash has returned home to Ohio after spending some time in this area. His mother Mrs. JoAnn Scott, accompanied him home.
 Ray Scott of Ohio visited Mr. and Mrs. Henry Scott over the week end.

Mrs. Fay Brown and children were home over the week end visiting relatives.
 Mrs. Effie Cash, who has been on the sick list, is slowly improving.

Estel and Carlos Gentry were home from Ohio over the week end.
 Raymond Caldwell, who is with the US Army, returned to Colorado Springs, Colorado Sunday night.

Rose Hill

Mr. and Mrs. Herbert Hall and Mrs. Roscoe Hysinger of Brodhead were in Danville Monday shopping.
 Mr. and Mrs. Harry Mullins of Renfro Valley visited Mr. and Mrs. Wade Hysinger, Thursday.

Mr. and Mrs. Wendell Tilley visited Mr. and Mrs. Wayne Hysinger and Ricky Thursday afternoon.
 Cecil and Roscoe Hysinger had dinner with Mr. and Mrs. Tilden Owens Monday.

Mrs. Wayne Hysinger and Ricky visited Mr. and Mrs. Tilden Owens Monday.
 Janet Hunt, daughter of Mr.

and Mrs. Lew Hunt, was in Frankfort Saturday with her class.
 Mr. and Mrs. Herbert Childress of Clay City spent Sunday with her parents, Mr. and Mrs. Everett Purcell.
 Miss Vivian Cummings and children of Renfro Valley visited Mr. and Mrs. Wade Hysinger Thursday.

Johnetta

Mr. and Mrs. Matt Powell of Orlando, and Mr. and Mrs. Roscoe Himes and Carolyn of Richmond spent the week end in Richmond, Ind., with friends and relatives.

Mr. and Mrs. Monroe Miller and family and Mr. and Mrs. John Anglin and family visited Mr. and Mrs. Elsie Allen and Tiny over the week end.

Mr. and Mrs. Edwin McClure and son of Maud, Ohio, and Mrs. McClure's mother, Mrs. Polly Allen, returned home Friday after spending a week in Pensacola, Fla., with Mrs. Allen's son, C.P. Allen, and Mrs. Allen.

Miss Annie Anglin spent the week end with Mr. and Mrs. Donald Anglin. Also visiting them were Mr. Bob Allen, Miss Audrey Allen, Cecil Bowles, and Wayne Allen.

Little Darrell Allen, son of Mr. and Mrs. Owen Allen, returned home last Monday after being in the Rockcastle Baptist Hospital with a broken arm.

Mrs. Ray Powell and family of Orlando, Mr. and Mrs. Elsie Fish and family, and Scott Brewer visited Mr. and Mrs. Henry McCracken and family over the week end.

Boone

Carl and Nancy Durham visited Mrs. Mary Baker, Mr. and Mrs. Wilson White and Becky Monday afternoon.
 W.R. Durham visited his nephews, Ralph Durham, and Mrs. Durham Tuesday afternoon.

Wittie Coyle of Route 2, Berea visited Mr. W.R. Durham and Carl Saturday morning, and Lyle Prewitt visited them Sunday afternoon.
 Forester Sloan and Mrs.

Oma Durham celebrated their birthday May 9th, and Ralph Durham celebrated his birthday May 10th. Happy Birthday Folks.

A speedy recovery is wished Mrs. Annie Lee Chasteen of Fairview.
 Mr. and Mrs. Lohm Henry Chasteen visited Mrs. Mary Lambin Sunday afternoon.

Mr. and Mrs. Jim Anglin visited W.R. Durham, Carl and Nancy Sunday afternoon.

Poplar Gap

Mr. and Mrs. Manley McGuire visited her parents, Mr. and Mrs. Green Parker, at Livingston Sunday. Mrs. Parker still remains very ill at her home.

Mr. Logan McGuire spent the week end with her daughter, Mr. and Mrs. Virgil Abbey.

Mrs. Walter Carpenter and children of Lomero, and Mr. and Mrs. Randle Allen of Hamilton, Ohio spent last week end with their mother, Mrs. Fannie Allen.

The Livingston Seniors are gone to Washington this week. We wish them a nice trip.

Mrs. Logan McGuire has received word that her son-in-law, Mr. Ellis Luckey, is very ill in a hospital in Dayton, Ohio. A very speedy recovery is wished for him.

Mr. Tony McGuire, son of Mr. and Mrs. Manley McGuire, is one of the seniors to graduate from Livingston High School this year. Tony will be their fifth son to graduate at Livingston.

Ottawa

Mrs. Floy Rutherford and Mrs. Mildred Foster of Cincinnati, Ohio spent Tuesday night with Mr. and Mrs. Wallace Proctor.

Mr. and Mrs. Bobbie Proctor and family of Brodhead, Mo. and Mrs. Wallace Proctor, Mr. and Mrs. Arlos Proctor and family and Mrs. Lina Treadway were dinner guests of Mr. and Mrs. John Hasty Tuesday evening, April 26th.

It was Mr. Hasty's 81st birthday. We wish him many more birthdays.
 Bro. Don Downing and Mrs. Ada Downing, Bro. John Far-

mer and Della Mae Wilmot had dinner with Mr. and Mrs. E.B. Lawrence last Wednesday.

We are sorry to report Mrs. Phyllis Parson in the Rockcastle Baptist Hospital. We wish her a speedy recovery.

Mr. and Mrs. Virgil Whitt of Cincinnati, Ohio were to see Mr. and Mrs. George Farris one day last week.

Mr. and Mrs. Noah Brighton and Regenia of Springfield, Mo., were called here due to the illness of Mr. George Farris. Noah is returning, leaving Barbara and

Regenia for a while.
 Mr. and Mrs. Harold Cable and Deborah of Cincinnati, Ohio spent the week end with Mr. and Mrs. Walter Chaney, Mr. and Mrs. Roscoe Cable, Mr. and Mrs. Albert Theo Hayes and family of Middletown, Ohio spent Friday night with Della Mae Wilmot.

Mr. and Mrs. H.E. Jones, Mr. and Mrs. Dean Jones and family were Sunday dinner guests of Mr. and Mrs. Casper Jones and Gene.

Mrs. R.C. Flynn of Manchester visited her daughters, Mrs. Madonna Cash,

Mrs. Joyce Laswell, Martha Joe and Mr. Laswell Sunday and Sunday night.



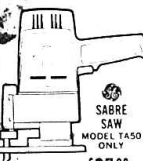

Our Revival closed at Ottawa last Wednesday evening with one accepting Christ.
 Mr. and Mrs. Carlos Lawrence and Wendell of Cincinnati, Ohio spent the week end with Mr. and Mrs. Virgil Lawrence.

Mrs. Fay Brown of Mason, Ohio visited relatives here over the week end.
 Mrs. Doris Wright is on the sick list. We wish her a speedy recovery.

GENERAL ELECTRIC INTRODUCES A NEW CONCEPT IN POWER TOOLS

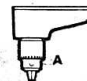
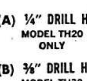

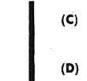


FIRST BUY ANY General Electric Power Tool

 1/2" DRILL MODEL T420 ONLY \$18.98	 3/4" DRILL MODEL T430 ONLY \$23.98
 SABRE SAW MODEL T450 ONLY \$27.98	 ORBITAL SANDER MODEL T460 ONLY \$27.98

Each tool has a powerful 1/2 H.P. General Electric motor.
 Each tool designed for a specific job - they will give you the only

THEN START YOUR POWER TOOL WORKSHOP BY ADDING G-E Interchangeable TOOL HEADS

 (A) 1/4" DRILL HEAD MODEL T200 ONLY \$6.98	 (B) 3/8" DRILL HEAD MODEL T300 ONLY \$9.98	 (C) ORBITAL SANDER HEAD MODEL T600 ONLY \$13.98	 (D) SABRE SAW HEAD MODEL T500 ONLY \$13.98
--	--	--	---

Each tool head can be interchanged to power unit and becomes a complete power tool.
 • PROPERLY GEARED • TRULY BALANCED • POSITIVELY POWERED

SEE THIS NEW CONCEPT IN POWER TOOLS AT
BRYANT BROS.
 Main St. Mt. Vernon, Ky.

New Grazing Crop Sensation



DEKALB "SUDAX" Brand SX-11

Grows Like a Miracle
 Tastes Like a Million
 Proved 30-50% Better Than Sudan Grass in Official Trials

DeKalb "Sudax" Brand, SX-11 is a truly great forage and grazing crop—tremendously productive. It has the quick growth power of sudan grass and the sweet flavor of sorghum. Great for high tons.

*"DEKALB" and "SUDAX" are Brand Names. SX-11 is a Variety Designation.

Next Time Plant All DeKalb

Mt. Vernon Produce Co.
 Ph. 256-2241 Mt. Vernon, Ky.

Special savings on these sporty Ford hardtops, convertibles, wagons!



Special Fairlans. Special low price includes spinner-type wheel covers, whitewalls, special trim.

Special Ranch Wagon. Sale price includes 2 way Magic Doorgate, special trim, whitewalls.

Special Fords. Whitewalls, styled steel wheel covers. Big Six, special trim.

HYMER FORD SALES
 BERE A KENTUCKY
 Sales 8:00 - 6:00 Daily Monday - Saturday Phone 986-3171 Service 7:00 - 8:00 Daily 7:00 - 12:00 Sat.
 See - Jim Hymer - Wayne Hymer or Jack Manley

RED TAG SALE

Greatly Reduced



Italian Sandals \$2.98 pr.
 2 pr. for \$5.00
 all colors and styles
 Tennis Shoes ladies - children \$1.98 pr. all colors
LARGE RACK of Ladies Heels \$2.98
 Men's TENNIS SHOES High and Low Cut \$2.98 - \$4.95

SAMPLE SHOE CENTER
 (Near Kroger's)
 East Main Richmond, Ky.

Mount Vernon Signal

PUBLISHED EVERY THURSDAY
 At No. 10 Church Street, Mount Vernon, Ky.
 Entered at Mt. Vernon, Ky., Post Office as Second Class Matter
 In Rockcastle County—\$2.50
 Outside The County—\$3.00
ELMO C. ANDERSON, Owner and Publisher
Raymond McClure, Editor — **Syble Lunaford, Adv. Mgr.**

AROUND BRODHEAD

Mr. and Mrs. Charles Smith and daughter, Traci Lee, of Dayton, Ohio visited her parents, Mr. and Mrs. George Fletcher and Audrey over the week end. Mrs. Fletcher returned home with them for a visit.

Mrs. B.C. Riddle, Mrs. John P. Allen, and Margaret Lee were business visitors to Somerset Thursday.

Mr. Arthur Harris, Jr., is a patient in Veterans Hospital in Louisville.

Mrs. Dwight Hubbard has returned home from Rockcastle Baptist Hospital much improved.

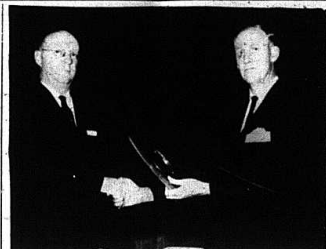
The Seniors of Brodhead High School left Saturday morning on their trip to Wash-

ington New York and Canada. Mr. and Mrs. C.D. Cheatham of Columbia spent Sunday with their son, Mr. and Mrs. Richard Cheatham and children.

Mr. and Mrs. Millard Allen, Jr., and Jennifer of Lexington, Mr. and Mrs. John P. Allen, Elizabeth Ann and Margaret Lee of Mt. Vernon spent Sunday with their parents, Mr. and Mrs. Millard Allen.

Sympathy is extended to the family of Mr. Charlie Lunaford, who passed away in Mt. Vernon Hospital last Monday.

Mr. Richard Lee Collett has returned home from UK



PLAQUE AWARDED— Eddie Hurt, right, bursar at Somerset Community College, and formerly of Brodhead, presents to A. Robbins, principal at Brodhead High School, with a plaque from the Brodhead Alumni Association for "unfailing leadership and dedication in the upgrading of youth at Brodhead school."

Charlie Lunaford Buried At Oak Hill
 Charlie A. Lunaford, 65, of Brodhead, died at his home suddenly on May 2.

Mr. Lunaford was born in Rockcastle County, the son of Gilbert and Etta Mae Garg Lunaford.

His wife, Minnie Harrison Lunaford, he is survived by two daughters, Mrs. Geneva Purdy of Indianapolis, Ind., and Mrs. Edna Hopkins of Brodhead, as well as 20 grandchildren and four great grandchildren.

One sister and six brothers survive: Mrs. Viola Singleton, Cossie, Jim, and Raymond, all of Brodhead; Gadd Lunaford of New Haven, and Ben and Lester Lunaford of Ohio.

Funeral services were conducted May 5 at Oak Hill Church with the Rev. J. L. Gatliff officiating. He was buried in Oak Hill Cemetery. Watson Funeral Home was in charge of arrangements.

J. L. Gatliff, 75 Buried At Johnetta
 J. L. Gatliff, 75, of Climax, died May 4 at Berea College Hospital.

Mr. Gatliff was born in Rockcastle County, the son of James and Emily Gatliff. He was a farmer and a member of the Climax Christian Church.

Besides his wife, Laura Ballinger Gatliff, he is survived by two sons and two daughters: Luther and Delbert Gatliff, both of Route 2, Mt. Vernon; Mrs. Myrtle Rice, Route 1, McKee; and Mrs. Marie Cobb, of Route 3, Mt. Vernon, as well as 14 grandchildren and eight great grandchildren.

Seven sisters survive: Mrs. Ophelia Shearer, Mrs. Mollie King, Mrs. Ethel King, Mrs. Joan Sowder, all of Ohio; Mrs. Addie Seiber of Tennessee, and Mrs. Nannie Chas- sander of Middleboro.

Funeral services were conducted May 6 at the Climax Christian Church with Bro. Clifford Deen and Bro. Lunaford officiating. He was buried in Johnetta Cemetery. Rominger Funeral Home was in charge of arrangements.

Preston Leger, 42, Buried At Flat Rock
 Preston Leger, 42, of Jamestown, Ohio, and formerly of Orlando, died May 4 at an Xenia, Ohio hospital.

Mr. Leger was born in Rockcastle County, the son of Robert and Leta Proctor Leger of Orlando. He was a member of the Flat Rock Baptist Church.

Besides his parents, he is survived by his wife, Alma, one daughter, Judy, and one son, Lonnie, both at home; one step-daughter, Mrs. Sharon Patterson of Xenia, and two step-grandchildren.

Four brothers and three sisters survive: Isaac Leger

Mrs. Ostrander Dies
 Mrs. Nell Owens Ostrander of Fostoria, Ohio, died of heart failure at a hospital there following surgery in Toledo.

Mrs. Ostrander was the daughter of Bert Owens and a half-sister of Ivan Roberts of Shelby, Ohio. Burial was in Fostoria.

The mail box was inherited in 1810 by Thomas Brown, who later became governor of Florida.



WAVES OF FAITH
 Evangelist
 Elijah H. McFarland
 WMBN 1420 on your dial
 Sunday at 4:00
 WRKY 1460 on your dial
 Sunday at 1:30
WEST BRODHEAD CHURCH OF GOD
 Sunday School .. 10:00
 Worship .. 11:00
 Sunday Night .. 7:30
 Wednesday Night .. 7:30
 Saturday Night .. 7:30

MOST SMOKED NEWSPAPER
 New Guinea's "South Pacific Post", which circulates only 5,200 copies over about 183,500 square miles is probably the most sought-after newspaper for smoking and sells for 7 cents per lb. for this purpose.

Mount Vernon Florist

World Wide Delivery
 Conveniently Located Near Hospitals and Funeral Homes
 PHONE 256-2091
 OWNER: RUTH FAHN MT. VERNON, KENTUCKY

LINCOLN COUNTY STOCKYARDS, INC.
 Stamford, Kentucky
 May 10, 1966
 Live-Stock Market report as compiled by the Federal-State Market News Service: Receipts and quotations are as follows:
 Calves Tops \$34.00; Seconds \$29.00-31.00; Butchers \$32.50; Heavies \$32.00-33.00; Odd Calves \$26.25-33.00; Baby Beaves \$18.00-23.00; Steers and heifers \$21.00-26.00; Bulls \$23.00-23.00; Beef Cows \$16.80-20.40; Hogs and Cattle \$12.40-16.70.
 Cows Tops 190-235 lbs. \$24.50; 140-180 lbs. \$23.50; 240-300 lbs. \$23.00-24.00; Sows \$17.00-18.00.
Cecil Trammell — W. L. SEARS
 MANAGERS
 Auction Sale Every Tuesday

is a busy signal ringing up too often these days?



You can be losing profitable business if your single line cannot handle your growing volume of telephone traffic. A low cost second line can be worth its weight in added business. Investigate today.

Kentucky Telephone Company
 Ph. 256-2148 Mt. Vernon, Ky.

FOR SALE
Restaurant Equipment
 Everything for Complete Operation of Restaurant

This Includes: Fountain, 58 Cu. Foot Refrigerator, 2 Deep Freezers, Steam Table, Grill Candy and Cigar Cases, Coolers, Mirrors, Formica Top Tables, with Chairs, Light Fixtures, Air Conditioner, Mixers, Numerous Other Items Reasonably Priced. Owner Retiring.

LINCOLN RESTAURANT
 Stanford, Kentucky Phone 365-9992



Rev. RICHARD P. HOCKER
 Memorial Services will be held May 22, 1966, at the Community Pentecostal Holiness Church at Carmacle, East Germantown, Ky. Service will begin at 1:00 P.M.

When we meet together on this Sunday Evening May 22nd to remember our departed Brother, lets not forget to remember our Lord who is not dead, but alive forevermore amen:

Re-Elect Tim Lee Carter for Congressman

As a candidate I told you that I would support the Appalachian Plan. This I did, and as a result new roads are being built throughout the Fifth District.

Seven Vocational Schools are being built this year in District 5. Seven more will be built within the next two years.

I voted for federal aid to education and your county will receive, this year, over \$200,000.00 from the Federal Government, which it had not previously received. Ninety more jobs have been created in Rockcastle County by this act.

I supported the Economic Development Act. I supported the Renfro Valley Water Project, which should be funded by this act.

I have voted for all bills which I thought would be beneficial to the Fifth Congressional District, and will continue to do so.

I am a graduate of Western Kentucky University and the University of Tennessee.

I am a member of the Baptist Church and have been an active member since 1931.

I am a thirty-second degree Mason and a Shriner.

I came from one of the strongest Republican families of the Fifth Congressional District.

I humbly ask for your vote and support in the Primary on May 24, 1966.

Vote For Continued Progress and Re-Elect.

TIM LEE CARTER
 for CONGRESSMAN

BUILDING MATERIALS
 At Lowest Prices

- * ALUMINUM STORM DOORS and WINDOWS
- * LUMBER
- * DOORS
- * SHINGLES
- * WINDOWS
- * WALLBOARD
- * ROOFING
- * FRAMES & MOULDINGS
- * SHEET ROCK
- * SHERWIN-WILLIAMS PAINTS
- * SEWER & DRAIN TILE
- * READY MIX CONCRETE

Let Us Make Building Easy
 READY MIXED CONCRETE
 "Everything for the Builder"
 DIAL 256-2521

REMEMBER To Dial S. T. PROCTOR LUMBER COMPANY
 MT. VERNON KENTUCKY

For A Complete Fertilizer Program
 CALL
Stewart Fertilizer Service
 Bruce Mayhew Wayne Stewart
 Harry Harmon Kenneth Stewart
 Phone 256-2186 Mt. Vernon, Kentucky

LERMANS
 SATISFACTION GUARANTEED

BREAK THE WINNING BALLOON

Shoe Parade SPECIAL BREAK THE BALLOON

2 WEEKS ONLY
MAY 9 THRU MAY 21

HERE'S HOW:
 With each pair of shoes purchased, you may break a balloon, some balloons contain a certificate worth \$1.00 and \$2.00 which will be applied to the shoe purchase.

CANVAS SHOES ARE NOT INCLUDED IN THIS EVENT.

It's Novel! It's Different— AND A REAL OPPORTUNITY TO SAVE ON FAMILY FOOTWEAR NEEDS!

Richmond, Ky.

Social & Women's News



Mrs. Charles Donald Smith

Miss Mary Beth Wehrle Weds Charles Donald Smith

Candle glow and candlelight velvet formed the backdrop for the marriage of Miss Mary Beth Wehrle, daughter of Mr. and Mrs. J. Reed Wehrle of Pittsburgh, Penn., and Charles Donald Smith, son of Mrs. Charles Smith and the late Mr. Smith of Somerset, formerly of Brodhead. The ceremony was performed by the Rev. William P. Barker on April 16 at Bower Hills Community Church.

Miss Wehrle wore a heirloom gown of French chiffon velvet with an emerald band of Pointe Venise lace edged with crystal veiling cascaded over a Watteau train from a crystal crown. She carried an arm bouquet of Callia lilies.

The bride's sister, Mrs. Michael C. Gregg of Virginia was matron of honor. Bridesmaids were Mrs. Peter E. Bom, Miss Carol McCracken, Mrs. Barry Wetzel, all of Pittsburgh; Mrs. Roger Ross of King of Prussia, Pa.; Mrs. William Abbott of Decatur, Ga.; Mrs. Edmund W. Walton of Virginia and Miss Bonnie M. Cullen of New York.

A string trio provided musical accompaniment for the candle light dinner at Mountain Heights Country Club. After a Jamaican honeymoon the couple will reside at Pennsbury Village in Pittsburgh.

Mr. Smith is employed by Ashland Oil and Refining Co. He is a graduate of Georgetown College, and a member of the Lambda Chi Alpha fraternity. Mrs. Smith graduated from Bucknell University where she was a member of Kappa Kappa Gamma society.

Kenneth Ronald Smith, the groom's twin brother, served as best man. Ushers were Peter E. Bom, Stephen A. Stepaniak, III, Henry B. Peterson and Daniel Carmichael all of Pittsburgh; Donald P. Kennedy of Cleveland, Timothy E. Hollander of St. Louis, Milwaukee, and Michael C. Gregg of Virginia.

BACK FROM FLORIDA
Mrs. Jewell Fain and Edna Carson of Mt. Vernon, have returned from a vacation in Daytona Beach Fla.

ATTENDS C.K.A.S.L.
Mrs. Lena Durham, Livingston School Librarian, attended the Central Kentucky Association of School Librarians, at Tulliver School, Danville, Saturday.

The afternoon session included book reviews given by Miss Robin Fain, Jessamine County High; Miss Anna Lee Herzog, Lexington Junior High, and Mrs. Durham. Durham reviewed "Cry to the Hills" by Clearance Lewis with Esther Kellner.

Buffet Dinner Honoring Library Club
The Livingston School Library Club and Mrs. Durham, Librarian, were dinner guest Thursday evening, in the home of Mrs. Carol Carlotto. After dinner the group attended the film, "The Restless Ones" in Somerset High School Gym.

Mr. and Mrs. Donald Turner Vows Exchanged

The Evangelical United Brethren Church of Hammond, Indiana was the setting April 16 for the double ring ceremony in which Miss Suzanne Andrea Turner, daughter of the late Mr. and Mrs. Robert Johnson, became the bride of Donald Turner, son of Mr. and Mrs. Louis Turner of Hammond, Indiana.

The Rev. Hilbert J. Berger officiated at the ceremony in which the bride was given in marriage by her brother. Miss Johnson attired in a street length dress of white lace.

Mr. Turner is the grandson of Mr. and Mrs. Alvin Carpenter of Mt. Vernon, and the son of the former Geneva Carpenter.

BIRTH ANNOUNCED
Mrs. Lillian Smith of Burbank, California announced the arrival of a 7 lb. 5 oz. son born April 29 at St. Joseph Hospital in Burbank. Mrs. Smith is a niece of Mrs. Peggy McCay of Mt. Vernon.

PERSONALS

Mr. and Mrs. Charles Dew recently moved from Sun Valley, California to Cincinnati, Ohio and were recent visitors of Mr. Drew's aunt, Mrs. Pansy McCay. They are formerly of Rockcastle County.

Mrs. Lillie Sigmon visited Mr. Robert Sigmon and Mrs. Robert Sigmon Sunday.

Miss Ruby Sigmon was at home over the week end visiting her parents, Mr. and Mrs. Robert Sigmon.

Hubert Smith, who is working in Indiana, visited his parents, Mr. and Mrs. Jim Smith Saturday.

Mr. and Mrs. Shirley Beale of Berry were guests of Mr. and Mrs. Ollie Mullins Sunday.

Mr. and Mrs. Herbert Bullock visited Mr. and Mrs.

Paris Decker and daughter in Cincinnati, Ohio over the week end.

Mrs. Bettie Davis had 4 of her children with her on Mother's Day. They were: Mrs. Amanda Maggard, Mt. Vernon; Mrs. Emma Thompson, Nicholasville; Mrs. Carl Hopper and Mr. Hopper, Lexington; and Mrs. Lella Stokes, Ypsilanti, Mich. She also received messages from her other three children: Mr. C. T. Davis and Mrs. Davis, Brownsville, Texas; Mrs. John Kincaid and Mr. Kincaid, Erlanger, and Mrs. Ethel Greenwood of Indianapolis, Ind.

VACATION OVER
Mr. and Mrs. John Lair, and daughter, Barbara spent several days last week vacationing at Virginia Beach, Williamsburg and Jamestown, Va.

Mrs. Kathryn Griffin of Cincinnati, Ohio spent the week end with Mr. and Mrs. Jack Crawford Sr., on their houseboat on Lake Cumberland.

Mrs. Sydney Lyons of Nicholasville, spent the week end with her son, Dr. Melville Lyons and family.

IN FLORIDA
Mrs. Ann Farris and Miss Virginia Bray are spending a two weeks vacation with their sister, Mrs. Richard Tuggle and family, at Hobe Sound, Fla.

Mrs. C. D. Engle and Mr. and Mrs. Thea Owens were in to see Mrs. Bettie Davis last week.

Mr. and Mrs. Charles Spurlock and Elizabeth Ann spent the week end in Winchester.

Mr. and Mrs. O.L. Oliver and children, Vickie Lynn and John Norman, of Mt. Sterling, spent Mother's Day week end with her parents, Mr. and Mrs. John W. Griffin, and attended services at the First Baptist Church Sunday.

Mrs. E.V. Koelle in Mrs. Jody Brown and a David V. of Frankfort spent Thursday and Friday with her mother, Mrs. Martha Helton.

Miss Anna Cromer last Wednesday were: Dr. J.W. Lester a Professor at Clear Creek Baptist School, Friday, and three 3rd grade students Bro. John Owens, Bro. Eugene Smead and Bro. Edington, Rev. and Mrs. Jack Moore and daughter, Gail, Mr. and Mrs. Jimmy Lambert, Mrs. Gertrude Hilton, and Mrs. Carrie Barber.

This was followed by a message on Missions by Dr. Lester at the Pine Hill Missionary Baptist Church.

Miss Annabess Renner is ill at home this week with Quinzy.

Mr. and Mrs. Clarence McDaniel of Haines City, Fla. visited Mrs. Lydia Howard last week. They were en route to Hamilton, Ohio.

Mr. and Mrs. Claude Chaney, Mr. and Mrs. Gilbert Mink of Richmond, Ind., spent the week end with their sister, Mrs. Irvine Hamm, and Mr. Hamm, and other relatives here.



HAS OPERATION
Mrs. Stella Laswell is reported improving from a serious operation at Central Baptist Hospital, Lexington.

HOME FROM HOSPITAL
Russ Fisher returned home this week after undergoing surgery at Good Samaritan Hospital, Lexington. He is reported as better.

CARD OF THANKS
Mrs. Ollie Smith and children wish to express their thanks and appreciation for the sympathy and kindness shown us during our bereavement. Especially we want to thank those who brought food and sent flowers, the singers from the Pine Hill Missionary Baptist Church, and Bro. Jack Moore for his words of comfort, the Sparks Funeral Home for their kind and efficient services.

THE SMITH FAMILY
Mrs. Ollie Smith and children wish to express their thanks and appreciation for the sympathy and kindness shown us during our bereavement. Especially we want to thank those who brought food and sent flowers, the singers from the Pine Hill Missionary Baptist Church, and Bro. Jack Moore for his words of comfort, the Sparks Funeral Home for their kind and efficient services.

THOUGHT OF WEEK
"A PERSON CAN BE SO WELL-ROUNDED THAT HE ISN'T POINTED IN ANY DIRECTION."
MAGGARD DRUG STORE

STRAWBERRIES

FRESHLY PICKED - \$1.00 GALLON

Raised for you by the CHRISTIAN APPALACHIAN PROJECT
Phone Orders: 287-3677

Also: Beautiful Bedding Plants

Available at the Greenhouse in Gray Hawk 6 Miles East of McKee on Scenic Rt. 421

SUPER PLENAMINS

11 Vitamins and 10 Minerals
Helps Prevent Vitamin Deficiencies
36 Day Supply Free With \$7.95 Purchase

MAGGARD Drug Store

Mount Vernon, Ky.

NOW!!

AT

GLENN PENNINGTON

AUTOMOBILES

YOU'LL FIND ALL THESE CARS PLUS SEVERAL MORE

- 1966 CHEVROLET IMPALA 2 Dr. H. T. 8 S.S.
- 1965 CHEVROLET IMPALA 2 Dr. H. T. 8 Auto
- 1965 CHEVROLET BELAIR 4 Dr. H. T. *
- 1965 CHEVROLET BELAIR 4 Dr.
- 1965 CORVAIR MONZA 2 Dr. H. T. 4 Speed
- 1965 FORD 4 Dr. H. T. Air Conditioned
- 1965 MUSTANG 2 Dr. H. T.
- 1965 OLDS 4 Dr. H. T. 6 Speed
- 1965 PLYMOUTH FURY 4 Dr. H. T.
- 1965 PONTIAC CATALINA 2 Dr. H. T.
- 1965 PONTIAC LEMANS 4 Dr. 8 Automatic
- 1964 CHEVROLET IMPALA 4 Dr. H. T.
- 1964 CHEVROLET BELAIR 2 Dr.
- 1964 CHRYSLER NEWPORT 4 Dr. H. T.
- 1964 DODGE POLARIS 4 Dr. H. T.
- 1964 FORD FAIRLANE 500 2 Dr. 6 S.S.
- 1964 PONTIAC TEMPEST LEMANS 2 Dr. H. T.
- 1964 PONTIAC CATALINA 4 Dr. Air Conditioned
- 1964 PONTIAC BONNEVILLE Convertible
- 1963 BUICK LESABRE 4 Dr.
- 1963 CORVAIR MONZA 2 Dr.
- 1963 CORVAIR 2 Dr.
- 1963 CHEVROLET IMPALA 2 Dr.
- 1963 CHEVROLET IMPALA 4 Dr. H. T.
- 1963 FORD CUSTOM 2 Dr. Automatic
- 1963 FORD GALAXIE XL 2 Dr. H. T.
- 1963 OLDS 88 2 Dr. H. T.
- 1963 OLDS STARFIRE 2 Dr. H. T.
- 1963 OLDS F-85 Jetfire 2 Dr. H. T.
- 1962 BUICK SPECIAL 4 Dr. V-8 Automatic
- 1962 CADILLAC 4 Dr. H. T. Air Conditioned
- 2-1962 CHEVROLET IMPALA 2 Dr. H. T.'s
- 1962 CHEVROLET IMPALA 4 Dr. H. T.
- 1962 CHEVROLET BELAIR 4 Dr. 8 Cyl.
- 1962 CORVAIR MONZA Coupe 4 Speed
- 1962 MERCURY COMET 2 Dr.
- 1962 VOLKSWAGEN 2 Dr.
- 1961 OLDS HOLIDAY Coupe
- 1961 PONTIAC 4 Dr. H. T.
- 1960 RAMBLER Station Wagon
- 1959 CADILLAC 4 Dr. H. T.
- 1958 THUNDERBOLT 2 Dr. H. T. S.S.
- 1958 OLDS 88 4 Dr.

PLUS MANY MORE TO CHOOSE FROM

THESE ARE QUALITY CARS, REASONABLY PRICED, AND ALL TYPES OF FINANCE PLANS ARE AVAILABLE IF NEEDED AT

GLENN PENNINGTON

AUTOMOBILES

BRIDA, KY.

RENFRÖ VALLEY BARNDANCE

Every Saturday Night

In The Big Barn in Renfro Valley, Ky.

Guest Acts

Saturday Night - May 14, 1966

DON RENO

and his

Tennessee Cut-ups

Plus Regular Renfro Valley Barn Dance Cost Shows of 7:30 and 9:30, Eastern Standard Time.

For Reservations call Mt. Vernon 256-2664.

FOR RESERVATIONS CALL MT. VERNON 256-2664

W H E A T
John 12:24

Wheat is one of the most important plants on the earth. Most of our bread comes from it and much of our breakfast foods. Also, a lot of our food that helps to make meat, milk, butter and eggs and many other things come from wheat. So just think what our tables would look like if there were no wheat, you see then how important it is.

Maybe that's why Jesus chose a grain of wheat to compare himself with. He said it must die to be of any value and until it dies it is just a grain of wheat.

No one knows how long a grain of wheat can be kept alive. He has been known to be kept for more than 3000 years then planted and grow and produce more wheat.

A grain of wheat when planted in the earth will die but in giving its life it will also give a plant that will grow and produce from 16 to 1000 or more bushels of wheat. Of course, we do not expect an acre of ground to grow a thousand bushels of wheat because the earth is under a curse and cannot yield its full strength. (Gen. 3:17, 19 and Gen. 4:12)

Now Jesus compares himself with a grain of wheat, one of the most important plants on the earth, (John 12:24). He says except he lies he should abide alone, but by dying he brings millions and millions of Christians into the world. Christ lives a good life, the best life anyone ever lived. He did the best teaching anyone ever did. He set the best example anyone ever set and did thousands of good deeds. But, if he had not died, all these would have been forgotten many years ago and there would not be a Christian in the world today. So, we see that Jesus was the most important person who ever came into the world.

Jesus said I am the Bread of Life, (John 4:48) we eat bread made from wheat for our bodies; but we eat Christ in this world, and we eat bread from Heaven (John 1:14) for our souls that we may live eternally. Have you eaten of the bread from heaven yet? Some day it will be too late.

Ray Dean

ATTENTION TOBACCO FARMER

I Have Been a Farmer Myself.

I have always supported the farmer and the tobacco program.

I believe in the freedom of choice for a person to use tobacco.

Tobacco is the chief cash crop for our farmers. We must continue to help them.

Make Sure that the Person you support for Congressman will fight for a Strong Tobacco Program.

YOUR CONGRESSMAN - TIM LEE CARTER